

fullwat[®]

professional solutions

ISSIA-DW_{xx}-B_x-N
ISSIA-DW_{xx}-B_x-UG
SERIES

SLIMFIT 8" & 6" DOWN LIGHT

- Anti-glare
- Flicker free
- Ultra slim

UGR19
PF>0.9



Seriously Thin

Compact design, idea for limited space and shipment cost



Anti-glare option

Normal & anti-glare model optional



Product Features

- Anti-glare design could get UGR19-22, thinner and compact size specially designed for limited space installation. High PF>0.9, and flicker free, external driver for easy maintenance.

Specification

- Voltage: AC200-240V 50~60Hz.
- Operating temperature: -4~113F(-20-45°C).
- Lamp life: 30 000hrs / 70%.
- Available color: 3000K, 4500K, 6000K.
- Size selection: 6inch,8inch
- Color rendering: Ra>80.
- Energy efficiency: 65-75Lm/W.
- IP Rating: IP44 option

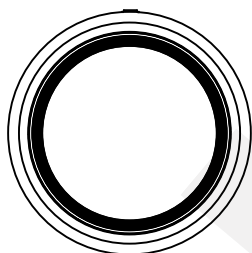


LED Down Light

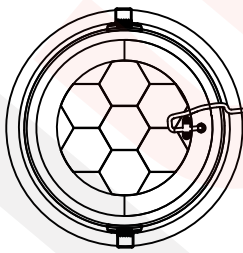


LED Down Light

Dimension & Technology Parameter



Front View



Back View



Item No.	ISSIA-DW24-Bx-N	ISSIA-DW24-Bx-UG	ISSIA-DW18-Bx-N	ISSIA-DW18-Bx-UG
Diameter (mm)	Ø224	Ø224	Ø174	Ø174
Thickness(mm)	23	23	23	23
Watt (W)	24	24	17	17
LED Qty (pcs)	108	108	81	81
Voltage (V)	AC200-240V, 50/60Hz	AC200-240V, 50/60Hz	AC200-240V, 50/60Hz	AC200-240V, 50/60Hz
Lumens (lm)	1800-1920	1560-1680	1190-1275	1020-1105
Light Efficacy (lm/W)	75-80	65-70	70-75	60-65
CCT (K)	3000/4500/6000			
CRI (Ra)	>80	>80	>80	>80
Beam Angle (°)	110°	90°	110°	90°
Dimmable	NO	NO	NO	NO
Power Factor (PF)	>0.9	>0.9	>0.9	>0.9
Lifetime (Hrs)	30,000	30,000	30,000	30,000

Application

Commercial lighting for shopping mall, hotel, office etc.

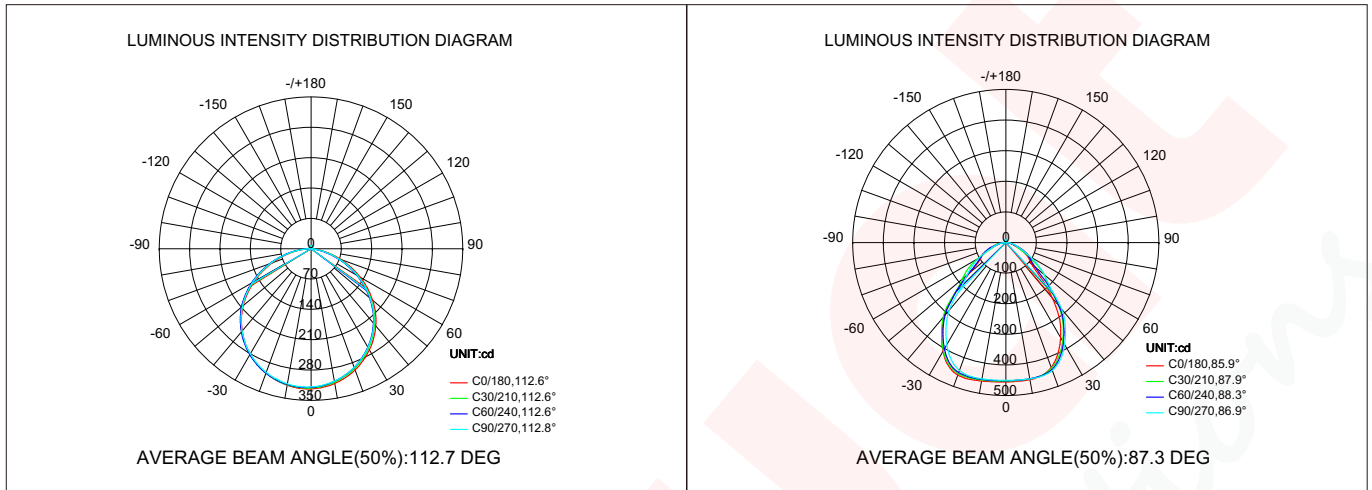
⇒ Optical property

Light distribution: symmetry lighting

CCT : 3000K

Dimension: Ø224x23mm

Beam angle:120°



Normal

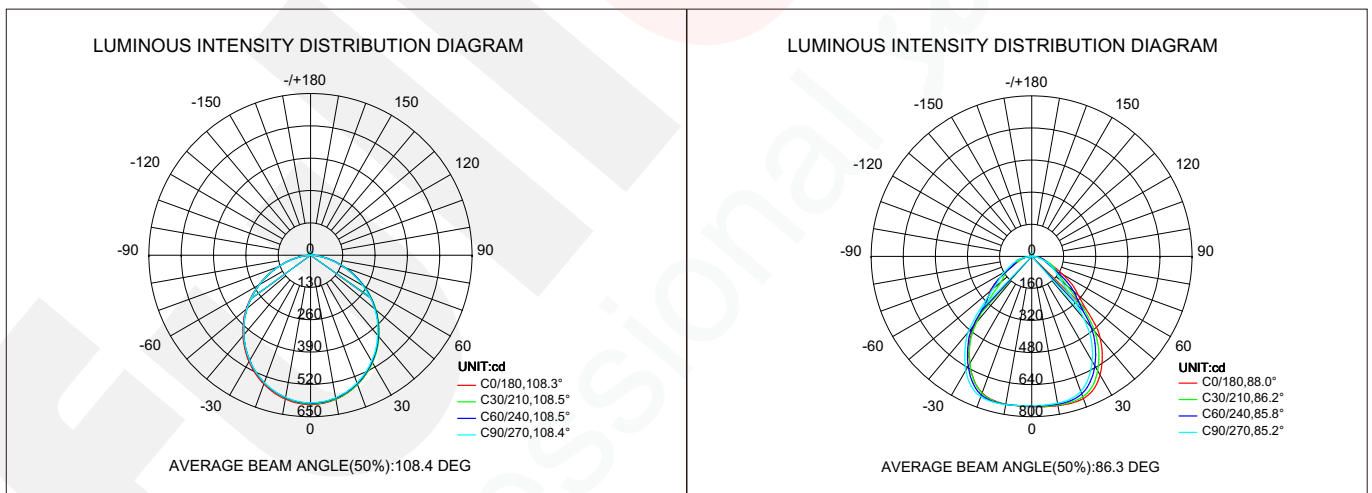
Anti-glare

Light distribution: symmetry lighting

CCT : 3000K

Dimension: Ø174x23mm

Beam angle:120°



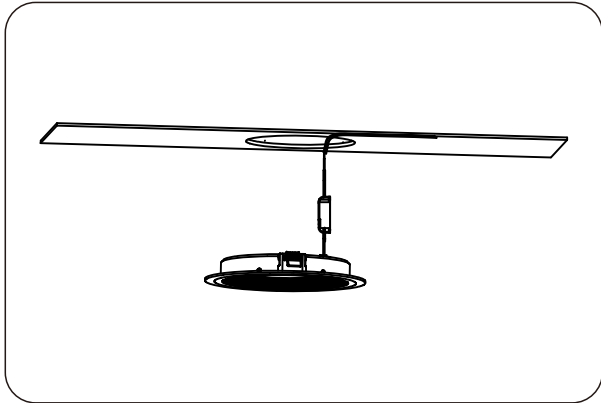
Normal

Anti-glare

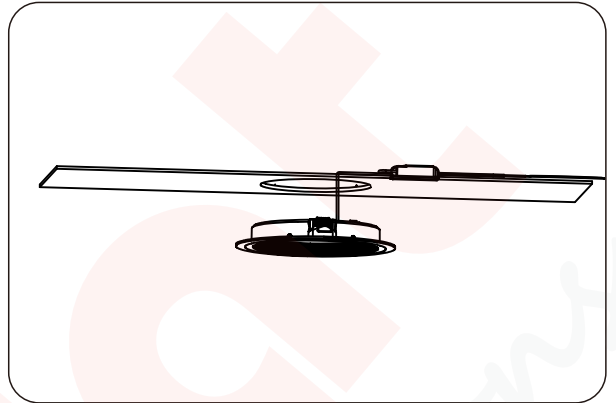
Attention

- The above luminous intensity distribution curve only represent the testing result of (3000K) this time.
- The above testing data of luminous intensity distribution curve only for testing reference, not present the data of every product.
- The luminous intensity distribution curve will vary with the power and color temperature of the LED Down light. This series product, color can be 2700K, 3000K, 4000K, 6000K etc.
- The testing data of luminous intensity distribution curve will vary with each test instrument.
- The testing data of above luminous intensity distribution curve is from Shenzhen LCS Compliance Testing Laboratory.

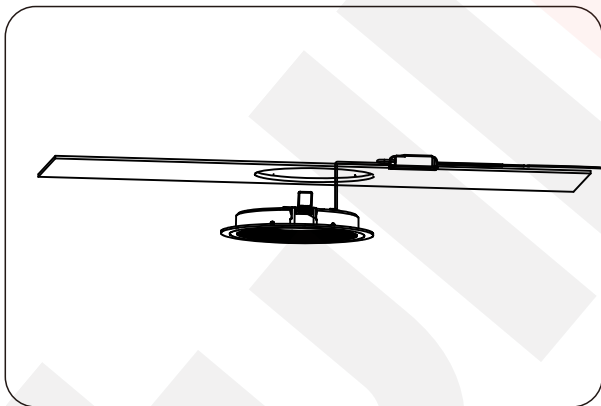
⇒ Installation Instruction



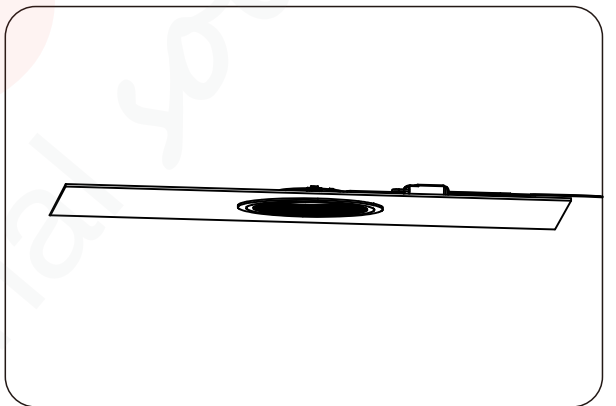
1. Switch off the electricity before installation.



2. Connect to 220-240V AC Supply in accordance with international regulation.

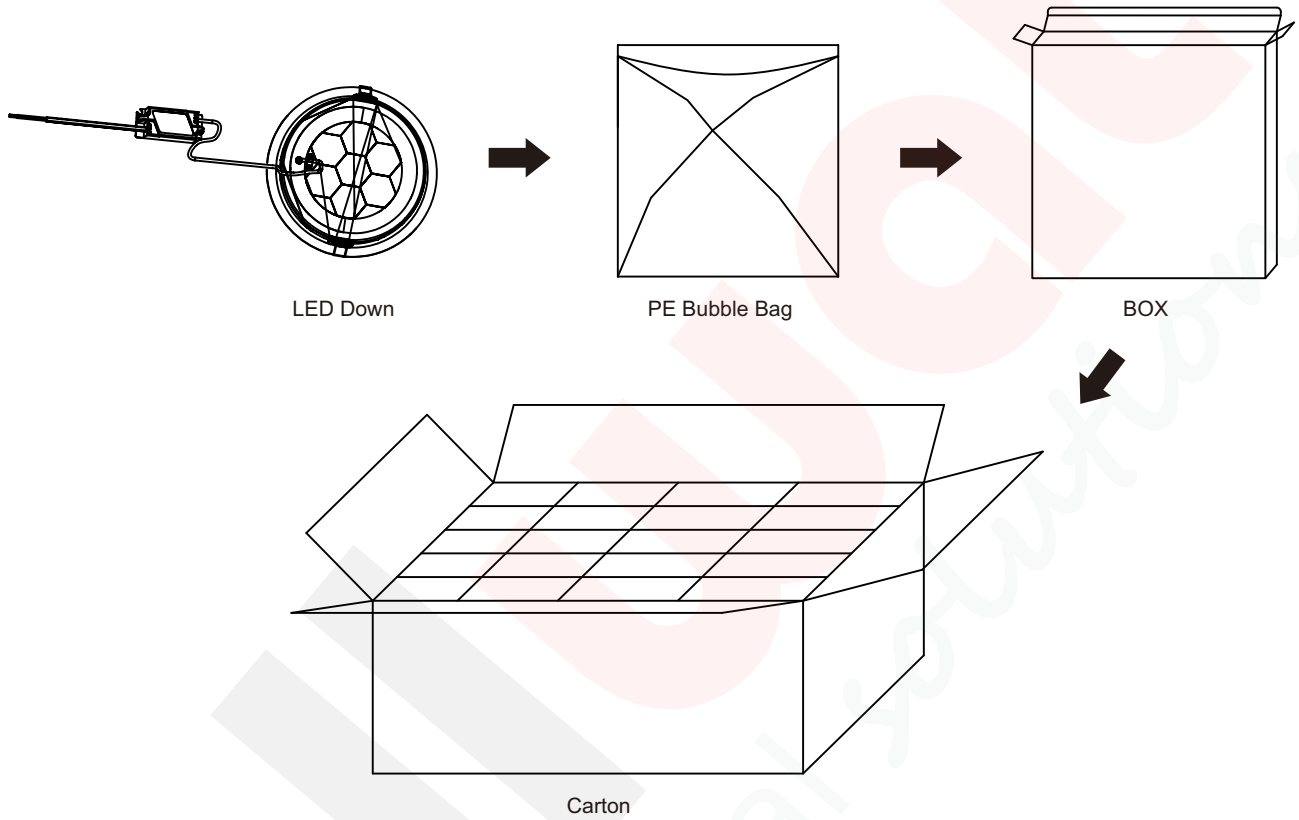


3. Place two springs clasp to stuck the ceiling, release springs clasp and push into place



4. Installation finished

↻ Package



Item \ Model	08"-24W	06"-18W
Box Size	270x230x100mm	270x180x35mm
Qty / Box	1pcs	1pcs
Carton Size	480x380x300mm	380x380x250mm
Qty / Carton	20pcs	20pcs
G.W.	12Kg	7.5Kg

Note: The real weight will be 0.5kg more or less.



Attention: The above info is for reference only, if you want to get more accurate data, please contact our sales.