

LUXOR-035P series
35W switching power supply



Features

- Universal AC input range.
- Small volume, low weight, high efficiency.
- Protections: short circuit / over load / over voltage / over temperature.
- Cooling by free air convection.
- LED indicator for power on.
- 100% full load burn-in test.
- 2 years warranty.

Specification



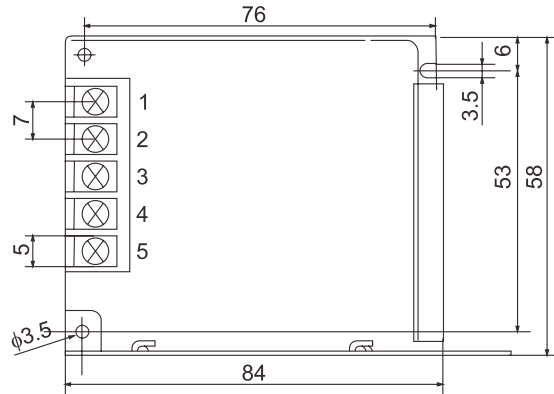
Model		LUXOR-035P12	LUXOR-035P15	LUXOR-035P24
Output	DC Voltage	12V	15V	24V
	Voltage tolerance	±1%	±1%	±1%
	Rated current	3A	2.4A	1.5A
	Current range	0 ~ 3A	0 ~ 2.4A	0 ~ 1.5A
	Rated power	36W	36W	36W
	Ripple&noise	120mVp-p	120mVp-p	120mVp-p
	DC voltage ADJ. range	±10%	±10%	±10%
	Setup, rise, hold up time	800ms, 20ms, 24ms/230VAC		
Input	Voltage range	90 ~ 264VAC 47 ~ 63Hz, 135 ~ 373VDC		
	AC current	0.75A/115VAC 0.45A/230VAC		
	Efficiency	81%	82%	83%
	Inrush current	Cold start 30A//230VAC		
	Leakage current	<0.5mA/240VAC		
Protection	Overload	Rated output power 115% ~ 135% Start overload protection		
		Protection type: hiccup mode, auto-recovery after fault condition is removed		
	Over voltage	Rated output power 145% ~ 170%		
Over temperature	When temperature of transistor inner node is over 150°C, start over temp. protection			
	Protection mode: hiccup mode, auto-recovery after temperature become normal			
Environment	Working temp, humidity	-10°C ~ +60°C; 20% ~ 90% RH (Please refer to "derating curve")		
	Storage temp, humidity	-20°C ~ +85°C; 10% ~ 95% RH Non-condensing		
	Withstand vibration	10 ~ 500Hz, 2G 10 min/1 Cycle, Period for 60min, Each axes		
Safety	Withstand voltage	I/P-O/P: 1.5KVAC I/P-FG: 1.5KVAC O/P-FG: 0.5KVAC		
	Isolation resistance	I/P-O/P: I/P-FG, O/P-FG: 100M Ohms/500VDC		
Fit standard	Safety standard	EN61347-1; EN61347-2-13		
	EMC standard	EN55015; EN61547		
Others	Weight	0.17kg		
	Dimension	84*58*38mm (L*W*H)		
	Packing	0.17kg/80pcs/14.5kg/0.87CUFT		

Note:

1. All parameters NOT specially mentioned are measured at 230VAC input, rated load and 25°C of ambient temperature.
2. Ripple & noise are measured at 20MHz of bandwidth by using a 12" twisted pair-wire terminated with a 0.1uf & 47uf parallel capacitor.
3. Tolerance: includes set up tolerance, line regulation and load regulation.

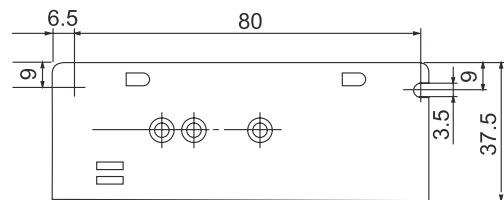
Mechanical specification

Unit mm

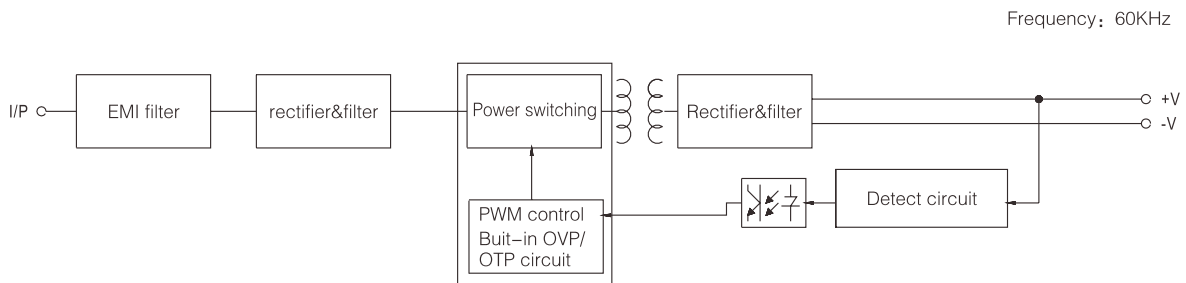


Terminal Pin No. Assignment

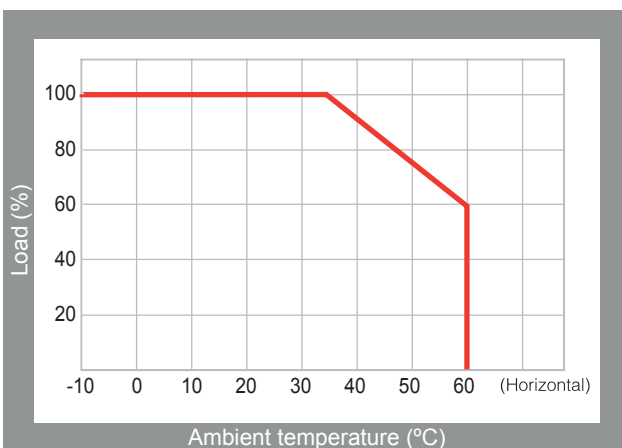
Pin No	Assignment	Pin No	Assignment
1	AC/L	4	DC OUTPUT -V
2	AC/N	5	DC OUTPUT +V
3	FG \perp		



Block diagram



Derating curve



Static characteristics

