



Professional Series Led Strips

ACCX-2835-BX-Wxx

SMD2835 120 LED/m dimmable LED strip



Product Features

IP rating: IP65.

Easy installing for many ways.

Adjustable for all kinds of Led decorations.

Safety input 230V.

Certified by RoHS.

VAC220 series

ACCX-2835-BX-Wxx

Professional series



SMD2835 120 LED/m dimmable LED strip

120 Led/m	16 W/m	220-240 VAC	Warranty up to 3 years
≤1760 lm/m	LED SMD 2835	MacAdam 3 level SDCM BIN1	standard CRI >80
PF >0,96	grade IK08		

White color temperature range



50 Max. meters in series (one side powered)	VHB 3M	driver NOT included	120°	8.3mm	10cm	30.000 h	Do not bend
100* Max. meters in series (two side powered)	ESD	Dimmable	Alu profile suggested	25/50m	Working 55°C -20°C	Storage 60°C -40°C	

* Make sure that you connect side poles L & N in same position strictly at both sides.

Features

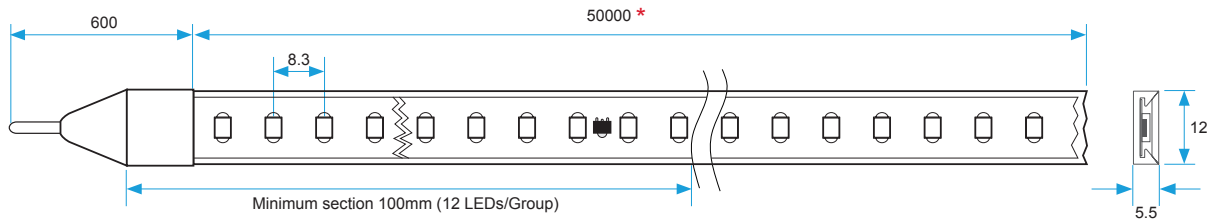
Part number	CCT / wavelength	Luminous intensity per m / flux	Efficiency lm / W	Waterproof strip
ACCX-2835-BH-W/25/50	±2700k	±1600lm	±100	 No color temperature deviation.
ACCX-2835-BC-W/25/50	±3000k	±1600lm	±100	
ACCX-2835-BN-W/25/50	±4000k	±1760lm	±110	
ACCX-2835-BF-W/25/50	±6500k	±1760lm	±110	

25 — length 25m
50 — length 50m

Product size

Frontal view

Units: mm



* 25 meter models for references ACCX-2835-BX-W/25.
50 meter models for references ACCX-2835-BX-W/50.

Accessories

Connectors (Order Qty.no MOQ)

Waterproof
Junction Box



ISSIA-FL-BOX1

Waterproof
2 PIN connector



CPROOF-2H
CPROOF-2M

End cap, End cap with power cord

End cap
(Indoor & Outdoor)



ACCX-2835-W-CAP

End cap with power cord
(Indoor & Outdoor)



ACCX-2835-W-WIRE

Connectors (Order Qty.no MOQ)

Jumper
(Indoor & Outdoor)



ACCX-2835-W-JOIN

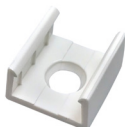
End cap with power plug
(Indoor)



ACCX-2835-W-PLUG

Mounting Accesories

Mounting clips



ACCX-2835-W-CLIP

Ultraviolet hand lamp



ACCX-UV-LAMP

UV adhesive tube



ACCX-UV-ADH

Profiles



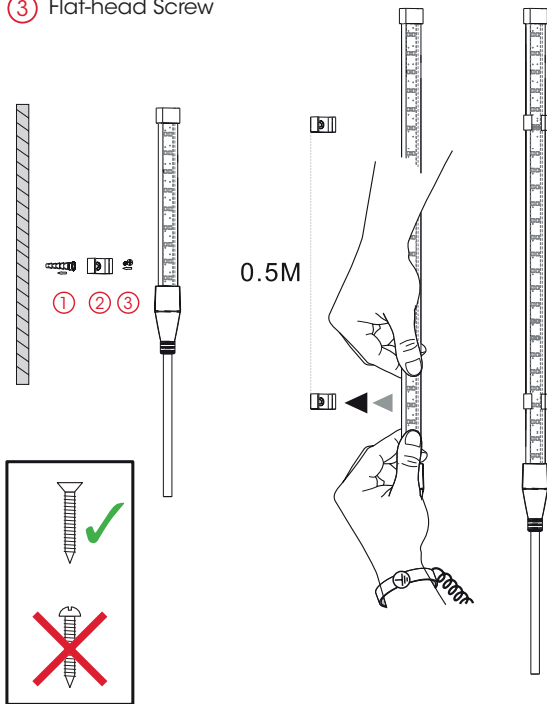
Consult the
Fullwat LED profiles catalog

Installation

INSTALLATION ON THE WALL VIA MOUNTING CLIPS

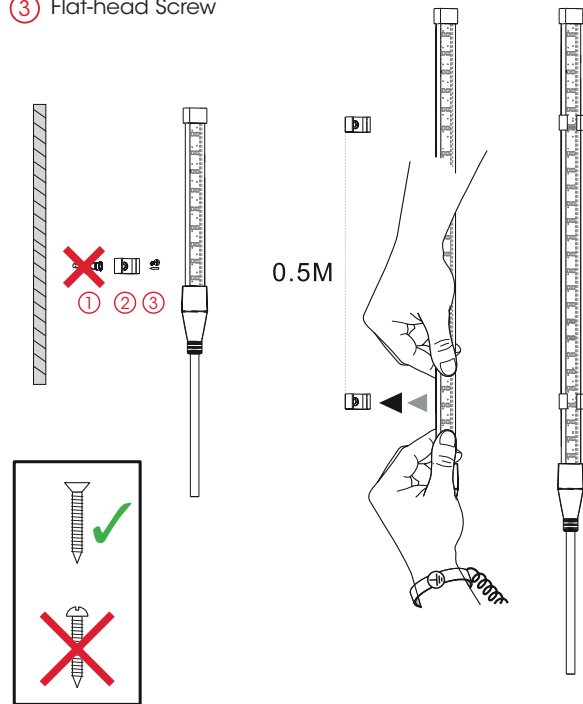
Installation on Masonry Wall

- ① Wall Plug
- ② Mounting Clip
- ③ Flat-head Screw



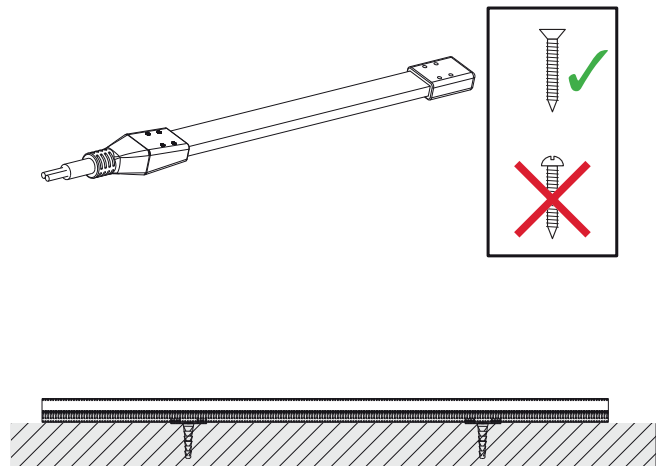
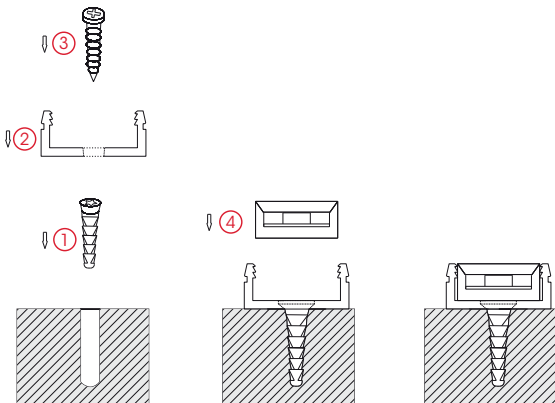
Installation on Panelling Wall

- ① Wall Plug
- ② Mounting Clip
- ③ Flat-head Screw



INSTALLATION VIA ALUMINIUM PROFILE

- ① Wall Plug
- ② Profile
- ③ Flat-head Screw
- ④ 220VAC LED Tape Light

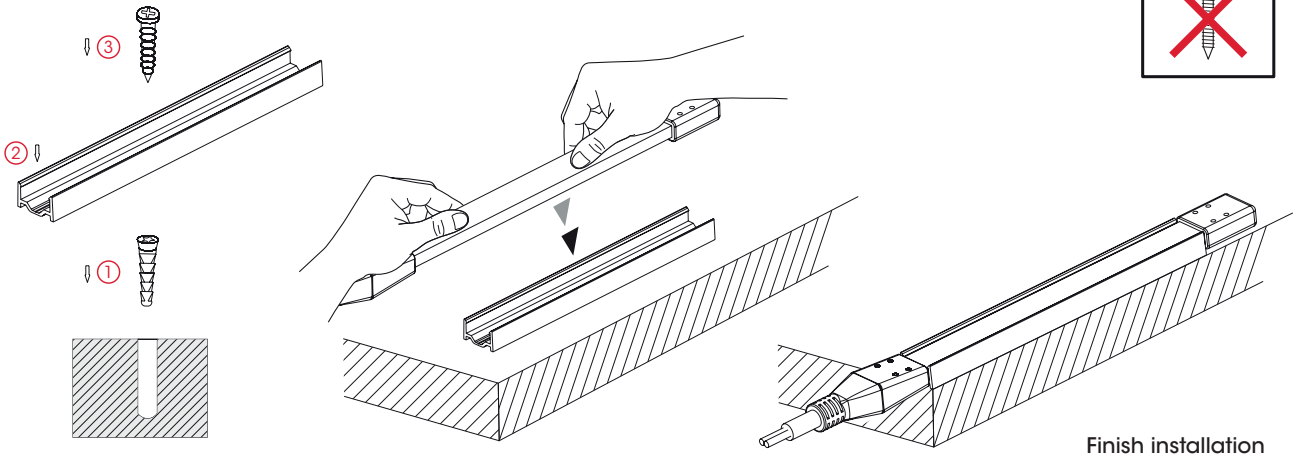
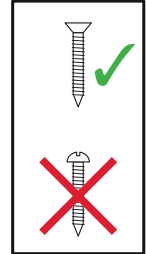


Finish installation

INSTALLATION VIA PVC SLOT

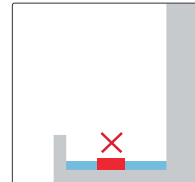
Installation on Masonry Wall

- ① Wall Plug
- ② PVC Slot (Slot the hole by customers themselves)
- ③ Flat-head Screw



INSTALLATION VIA PROHIBITION

- Don't install in spraying environment.
- Don't install under water.
- Don't install in high corrosive environment.
- Don't install in high temperature and humidity environment.
- Don't install at sea water splashing area.



ATTENTION

- Please don't cut the product at random, or may drop the grade of protection.
- In a special situation, if you must cut the product, you need to do a professional protective for out line ends and cutting ends.

Packaging



LED tape light with film for protection



Put one roll in the antistatic bag



Put in carton



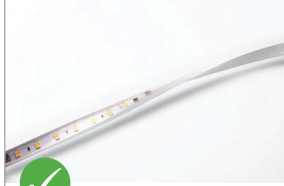







Finish packing

Remarks

- For lighting chains with non-replaceable lamps:
 - "The lamps are not replaceable".
- For class II lighting chains with non-replaceable lamps, the substance of following:
 - where breakage or damage to lamps occurs the chain must not be used/energised but disposed of safely.
- For type Z attachments:
 - The external flexible cable or cord of this lighting chains cannot be replaced; if the cord is damaged, the lighting chains shall be destroyed.
- For all rope lights where the packing has not been adapted for display purposes:
 - "Do not connect the rope light to the supply while it is in the packing or wound onto a reel";
 - "Do not use the rope light when covered or recessed in to a surface";
 - minimum allowed bending radius, if applicable;
 - "Do not open or cut the rope light".
- When supply connector used with terminal block or lead wires, which shall be exclusively installation by the manufacturer of his service agent or a similar qualified person in order to avoid a hazard.

High voltage LED strip instruction and caution

 <p>✓</p> <p>Before installation, please take out the strips as shown for better use.</p>	 <p>Parallely</p> <p>✓</p> <p>Keep the strip in a straight line while installing.</p>	 <p>✓</p> <p>In 1m long situation, the strips could be curved with 360° maximum.</p>	 <p>✓</p> <p>The minimum bending diameter is 100mm.</p>
 <p>✗</p> <p>Do not fold the strip in half.</p>	 <p>✗</p> <p>Do not twist the strip in the bonding pad position.</p>	 <p>✗</p> <p>Do not bend or stress on the strips form the side.</p>	 <p>Attention:</p> <p>Be sure to confirm the install location well before applying power to strips. Once the strip is lighting, or its temperature higher than 40°C, please do not pull it.</p>