

# AMPLEX-1CV RP310

LED  
Power Amplifier  
Series

## Product features

- For power repeat of synchronous changing signal.
- Single channel control, the max current to 10 A.
- Accepts PWM control.
- Match with many kinds of LED modules.
- Theoretically we can connect limitless LED modules by connecting the repeaters in series.

## Technical Parameter

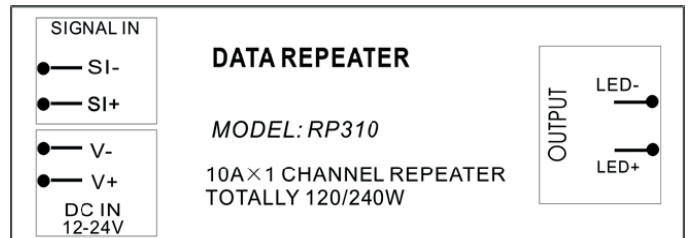
Power Supply	DC 12-24V
I/O Channel	1
Power out	10A Max, 12V, 120W/24V, 240W
Size	165(L)X39(W)X26(H) mm
Weight	260g



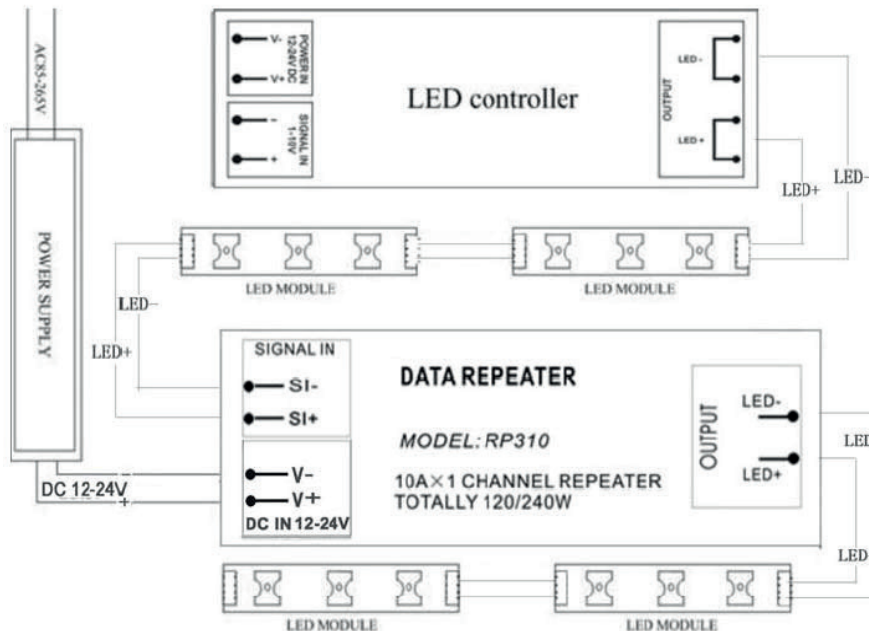
## Applications

- Building Decoration: Business spaces, airports, subway.
- Indoor Decoration: Lighting and back lighting for hospital, hotel, marketplace, square, dining-room, pub, etc.
- AD solid Word, sign and mark, signboard and billboard.
- Be used as big area back lighting source.

## Panel Surface



## Wiring Diagram



**Remark:**  
Can control various single color modules.