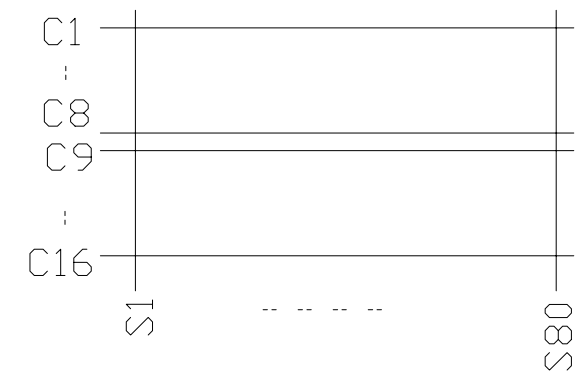
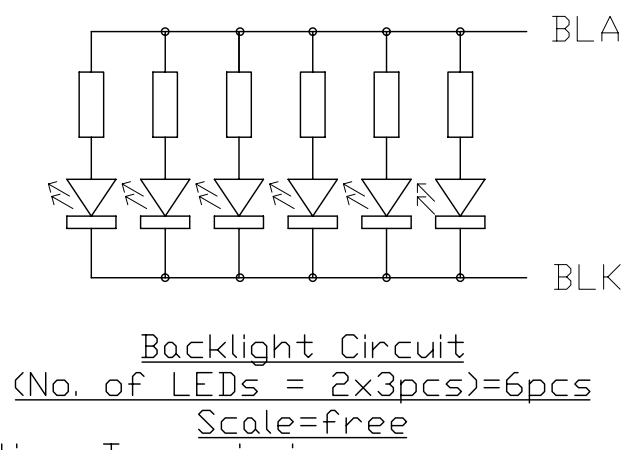
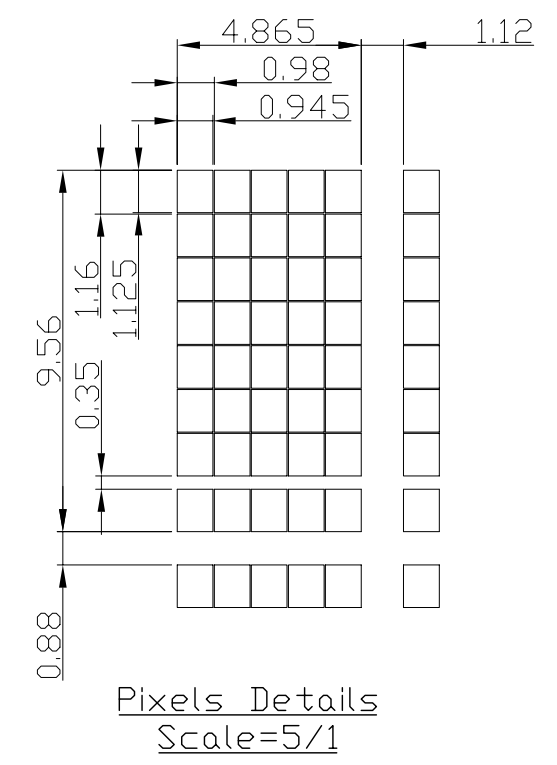


No.	Pin Name
1	VSS
2	VDD
3	V0
4	RS
5	R/W
6	E
7	DB0
8	DB1
9	DB2
10	DB3
11	DB4
12	DB5
13	DB6
14	DB7
15	BLK
16	BLA



- Note:
- *1. LCD Display Type : STN, Negative, Transmissive
 - *2. Viewing Direction : 6H
 - *3. Duty : 1/16 , Bias : 1/5
 - *4. Operating Voltage : 5.0V
 - *5. Backlight Color : White
 - *6. Backlight Supply : 102mA (5.0V TYP.)
 - *7. Operating Temperature : -20°C~70°C
 - *8. Storage Temperature : -30°C~80°C
 - *9. An external VR(5k) must be connected for Contrast Control.
 - *10. Environmental Safe Standard : RoHS



UKAI BILBAO
 Ribera Elorrieta 7C
 48015 Bilbao
 Teléfono: 94 474 5252
 Fax: 94 475 9710
 e-mail: ukai@ukai.com

UKAI BARCELONA
 Avda. Hospital Militar 74-76
 08023 Barcelona
 Teléfono: 93 284 0898
 Fax: 93 210 6765
 e-mail: ukaibcn@ukai.com

UKAI MADRID
 Avda Andalucía 2, 2ª planta local 211
 28700 San Sebastián de los Reyes
 Teléfono: 91 659 0328
 Fax: 91 659 0558
 e-mail: ukaimad@ukai.com

C		
B		
A	-Add Note -Typing Correction	Lin Yan 2007-01-17
Rev	Note	Date
Dwg Title LMB162GFC Outline Dwg		
Dwg No.	MK-001496a-1-1	Date 2006-11-16
Scale 3/2	Tol. ±0.2	Unit mm Paper Size A3
Approved	Checked	Drawn Lin Yan

