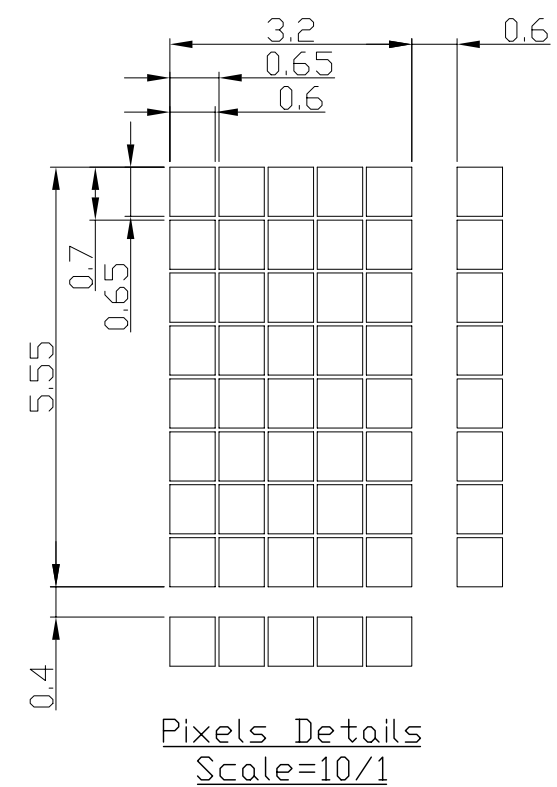
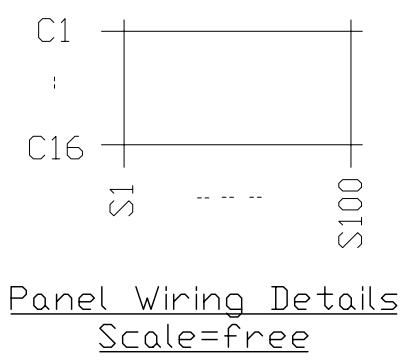
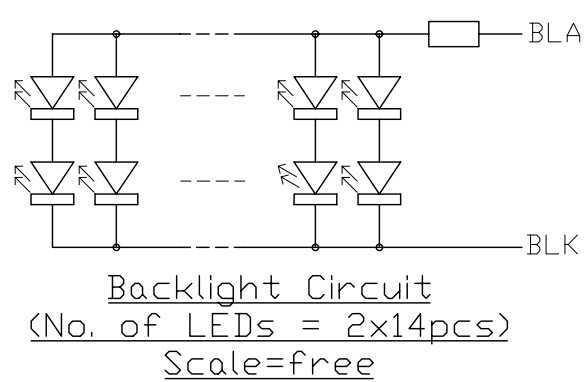
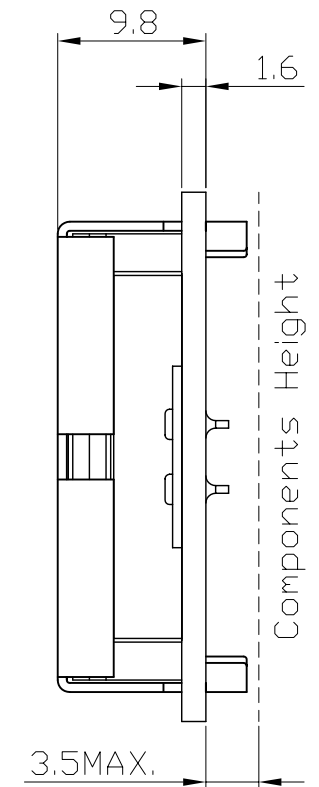


Terminal	
No.	Pin Name
1	VSS
2	VDD
3	V0
4	RS
5	R/W
6	E
7	DB0
8	DB1
9	DB2
10	DB3
11	DB4
12	DB5
13	DB6
14	DB7
△ 15	BLK
△ 16	BLA



- Note:
- *1. Display Type : STN-YG, Positive, Transmissive
 - *2. Viewing Direction : 6H
 - *3. Duty : 1/16, Bias : 1/5
 - *4. Backlight Color : YG
 - *5. Operating Voltage : 5.0V
 - *6. Operating Temperature : -20°C~70°C
 - *7. Storage Temperature : -30°C~80°C
 - *8. An external VR(5K) must be connected for Contrast Control △
 - *9. Environmental Safe Standard : RoHS △

C		
B	-Add Note	Li Shuai 2006-04-05
A	-Typing Correction	Li Shuai 2005-03-01
Rev/Note		Date
Dwg Title	LMB202DBC Outline Dwg	
Dwg No.	MK-000802b-1-1	Date 2005-01-31
Scale	2/1	Tol. ±0.5
Unit	mm	Paper Size A3
Approved	Checked	Drawn Li Shuai