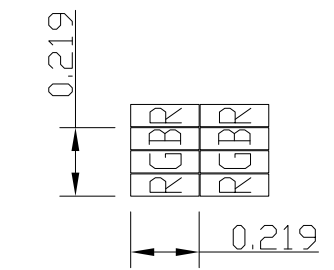
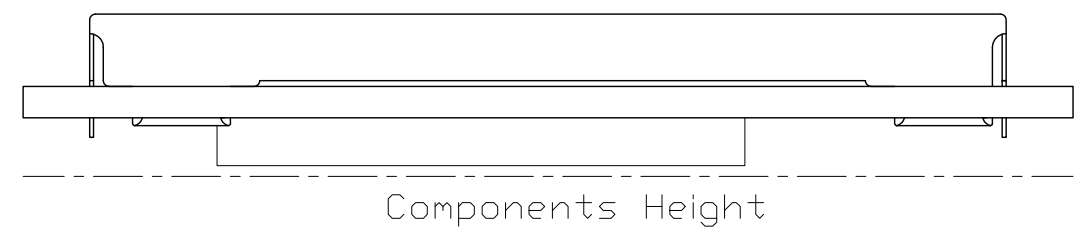


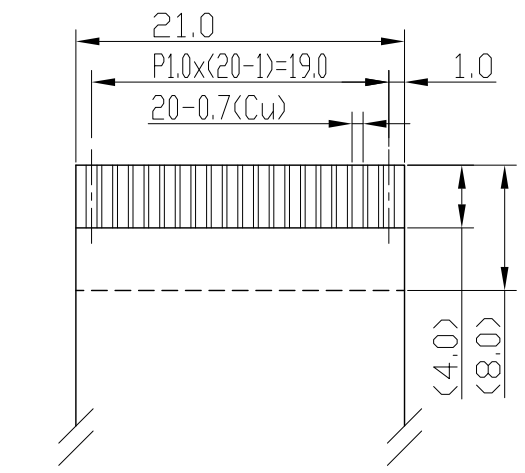
K1 Terminal		K2 Terminal	
No.	Pin Name	No.	Pin Name
1	/CS	1	BLK
2	/RES	2	BLA
3	D/C	3	VSS
4	/WR	4	VDD
5	/RD	5	NC
6	D0	6	NC
7	D1	7	/CS
8	D2	8	/RES
9	D3	9	D/C
10	D4	10	/WR
11	D5	11	/RD
12	D6	12	D7
13	D7	13	D6
14	VDD	14	D5
15	VSS	15	D4
16	BLA	16	D3
17	BLK	17	D2
18	NC	18	D1
:	:	19	D0
32	NC	20	VSS



#A Details  
Scale=40/1



Components Height



Host FFC Details  
Conductor Side  
Scale=2/1

- Note:
- \*1. LCD Display Type : TFT, Transmissive
  - \*2. Pixel Arrangement : RGB-STRIPE
  - \*3. Interface : MCU (8bit)
  - \*4. Color Depth : 262k Colors
  - \*5. Operating Voltage : 2.8V
  - \*6. Backlight Color: White LEDs
  - \*7. Backlight Supply : 30mA (Constant Current 3.0V Typ)  $\triangle$
  - \*8. Connector:  
K2: 20Pin P1.0 FFC Socket Or Equivalent  $\triangle$
  - \*9. Operating Temperature : -20°C~70°C
  - \*10. Storage Temperature : -30°C~80°C

C	-Refine Outline	Luo Lin	2018-01-22
B	-Typing Correction	Luo Lin	2017-08-09
A	-Add FFC Socket	Luo Lin	2017-06-20
Rev Note		Date	
Dwg Title LMT018DNBFW-DND Outline Dwg			
Dwg No. MK-006070c-1-1		Date 2017-06-16	
Scale 5/2	Tol. ±0.5	Unit mm	Paper Size A3
Approved	Checked	Drawn Luo Lin	

