

DRX-50-12T

50W constant voltage style power supply



Scope

This product for the LED driver, the product operational factors is the constant voltage model.

Electrical Specifications

	Item	Technical Norm
	Max. Output Wattage	60W
Input	Rated Input Voltage	220-240VAC
	Range of input voltage	180-264VAC
	Frequency(Hz)	50Hz
	Power Factor	>0.9 @full load, 240VC
	Current	0.5A MAX. @full load, 240VAC
	Start-up time	<0.5S for ERP @full load
	Inrush Current	40A MAX. @full load, 240VAC
	Unload Power Consumption	≤0.5W
Output	Unload voltage	12.6VDC MAX.
	Load Voltage range	11.4-12.6VDC
	Constant Voltage	12V
	Voltage Accuracy	±5% @220-240VAC
	Voltage Regulation	≤3%@full load
	Hold-up Time	NA
	Efficiency in full load	≥85%@full load, 240VAC
	Ripple	<2.8mVp-p @full load, 240VAC
Dimming	Dimmable or not	NA
	Dimming mode	NA
	Dimming current range	NA

DRX-50-12T

50W constant voltage style power supply

Electrical Specifications

	Item	Technical Norm
Protección	Over Load Protection	105-150%
		Protection type: Auto Restore
	Over Voltage Protection	>16VDC
		Protection type: Auto Restore
Short circuit Protection	Protection type: Auto Restore	
Over Temperature protection	Protection type: Auto Restore	
Hi-pot	Input-Output (V.AC)	3000V/5mA/1min
	Input-FG (V.AC)	NA
	Output-FG (V.AC)	NA
	Leakage Current	<2.5mA (240VAC)
Isolation resistance	Input-Output (V.AC)	≥10MΩ@500VDC
	Input-FG(V.AC)	NA
	Output-FG (V.AC)	NA
Environment / Life span	Operating Temperature	-10°C...+40°C
	tc	85°C
	Storage Temperature	-20°C...+60°C
	Humidity	20%-90%RH
	Life time	>30,000h @40°C
HSF requirement	RoHS	
Feature	Dimension	185*64*22 (LxWxH) mm
Safety & EMC	Approval	CE
	Safety standards	EN61347-1 EN61347-2-13; EN60598-1 EN60598-2-6
	EMI	EN55015; EN61000-3-2 Classs C EN61000-3-3
	EMS	EN61547; EN 61000-4-2 —8KV; 4KV; Performance Criteria B EN 61000-4-5 —1000V; Performance Criteria C

Note:

All parameters NOT specially mentioned are measured at rated input or max rated input, and 25°C of ambient temperature.

Mechanical Requirement

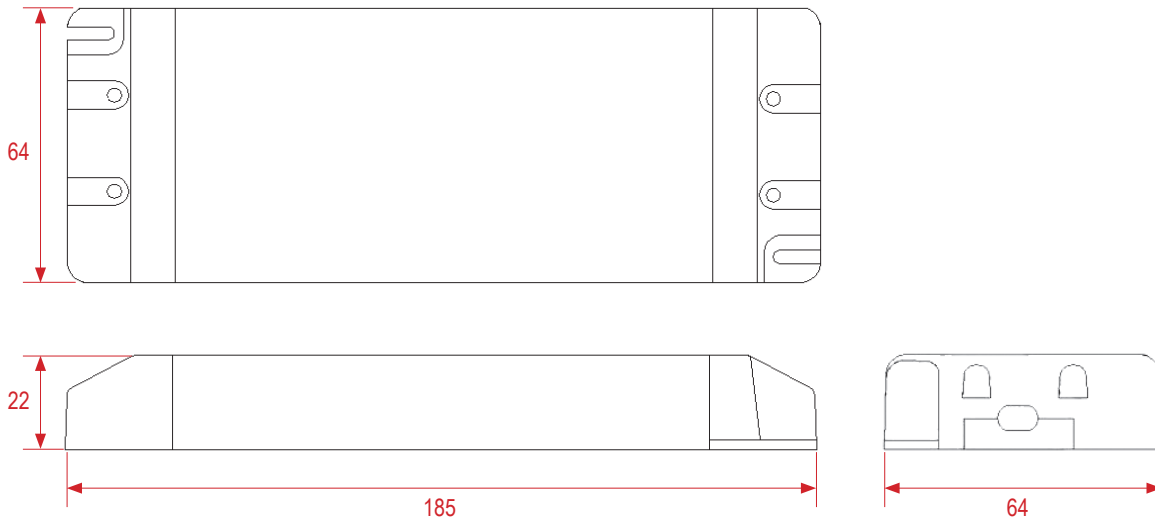
Enclosure: The power supply size: L185 x W64 x H22mm.

DRX-50-12T

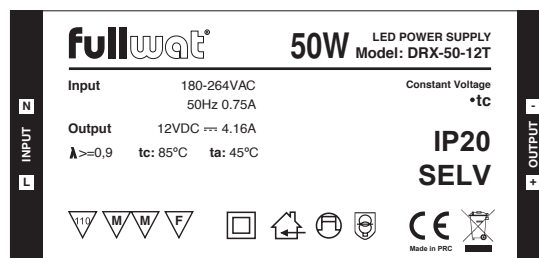
50W constant voltage style power supply

Connecting Line Dimension

Connecting line type	
AC Input	
DC Output	



Label



Packing

Outside box: 375L*205W*320H
Quantity: 100PCS/CTN

