



---

**FU-PL-CR17505** • Lithium-Manganese Dioxide Battery



**FU-PL-CR17505** • Lithium-Manganese Dioxide Battery

**1. Scope**

The specification is applicable to Fullwat Lithium-Manganese Dioxide Battery FU-PL-CR17505.

**2. Chemical System**

Lithium-Manganese Dioxide       $\text{Li-MnO}_2$

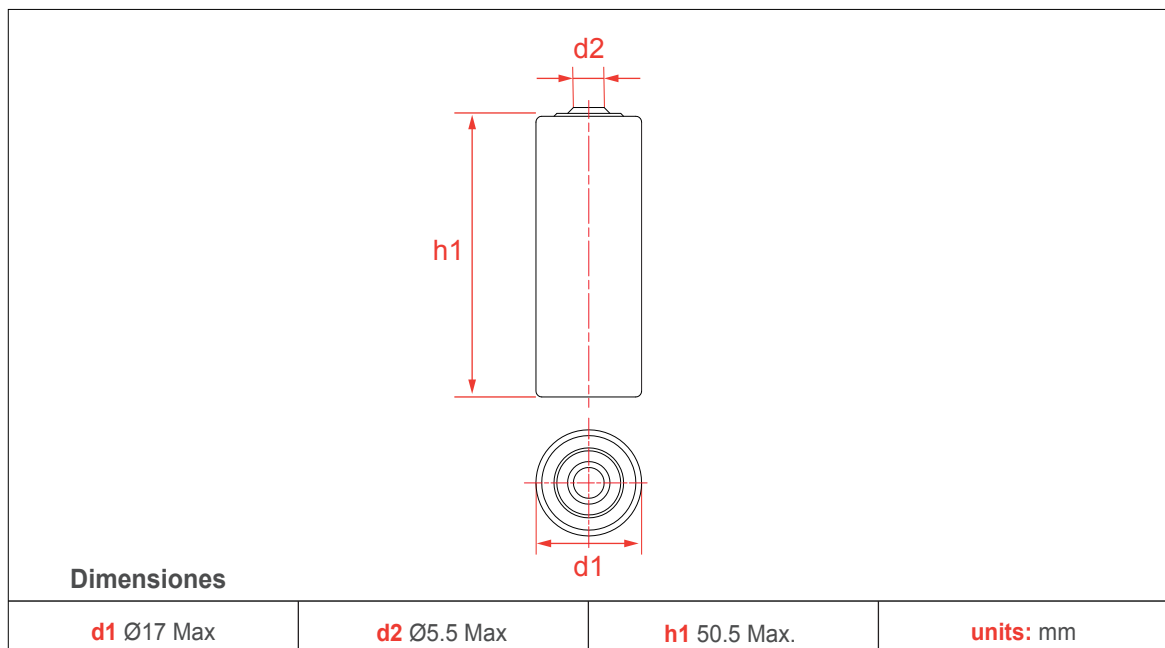
**3. Electrical characteristics**

(typical values for cells stored for one year or less, at 25°C)

<b>Nominal capacity</b> .....	<b>2.3Ah</b>
(At 10mA, +25°C, 2.0V cut off. The capacity restored by the cell varies according to current drain, temperature and cut off voltage.)	
<b>Nominal voltage</b> .....	<b>3.0V</b>
<b>Max. continuous current</b> .....	<b>1500mA</b>
(To get 50% of the nominal capacity at +25°C with 2.0V cut off. Higher currents possible, consult Fullwat.)	
<b>Max. Pulse Capability</b> .....	<b>3000mA</b>
<b>Storage (recommended)</b> .....	<b>+30°C Max</b>
<b>Operating temperature range</b> .....	<b>-40°C/+85°C</b>
(Operation at temperature different from ambient may lead to reduced capacity and lower voltage plateau readings.)	

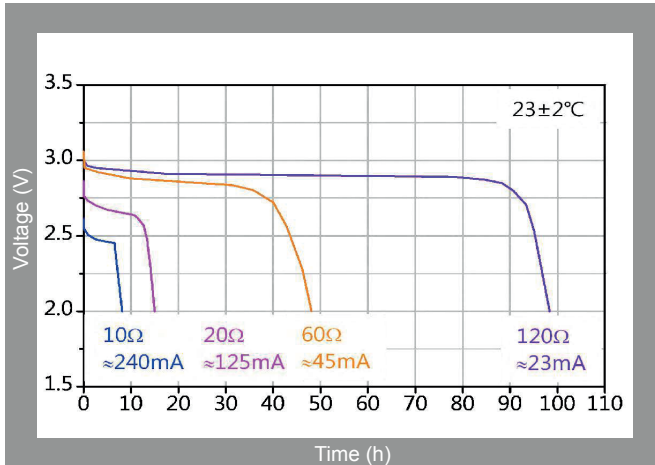
**4. Physical characteristics**

Typical Weight: 30g

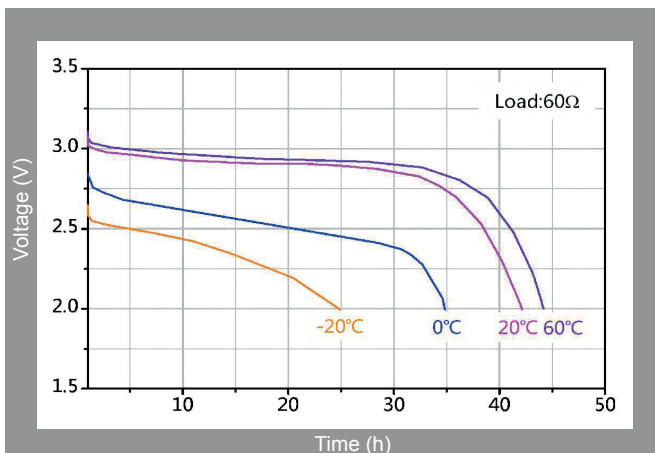


**FU-PL-CR17505** • Lithium-Manganese Dioxide Battery

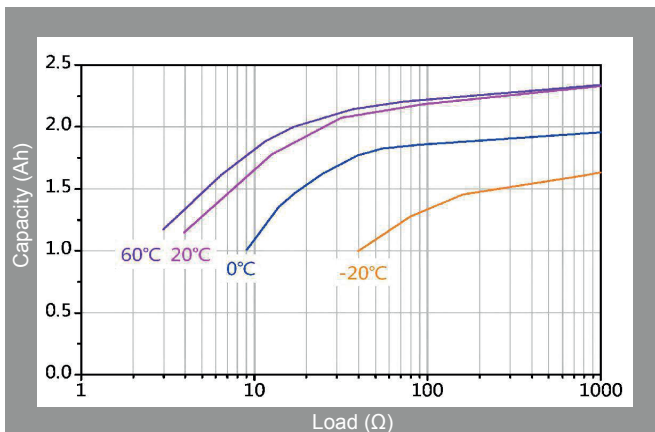
**6. Discharge characteristics**



**7. Voltage versus temperature**



**8. Capacity versus current**



**9. Warranty**

The warranty is specified in our warranties section of Terms of Sales. If the product is to be stored for more than three months it is necessary to perform the appropriate maintenance to ensure the good condition of the batteries. Consult our annex to the Terms of Sales on the recommended maintenance.

**Key features**

- High and stable operating voltage.
- Low self discharge rate (less than 1% after 1 year of storage at 25°C).
- Long storage life.
- Stainless steel container (with low magnet).
- Widely operating temperature range.
- Hermetic glass-to-metal sealing.
- Non-flammable electrolyte.

**Application**

- Utility metering.
- Memory back-up.
- Alarms and security devices.
- Tollgate systems.
- Military electronics.
- Automotive electronics.
- Professional electronics.
- GPS tracking.
- Real time clock etc.

**Warning**

- It is strictly forbidden to have the battery positive and negative short circuit, charging, discharging, heating over 100°C, remove, anatomy, or may cause explosion, combustion, internal acid leakage.
- Do not solder directly on the battery, should use wire or nickel sheet by pre spot welded.
- Can not mixed use with old and new battery or mixed use different kinds battery.
- Don't assemble the batteries from different manufacturers.
- Do not use the battery over the temperature range.
- Discharged battery should be buried deeply in the ground.