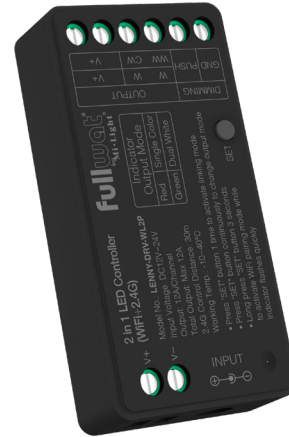


LENNY-DRV-WL2P

2 in 1 driver receiver (WIFI+2.4G)

Universal 2-in-1 controller, with WIFI gateway included. Allows you to dim single-colour and dynamic white LED strips by push button, remote control, control panel and mobile application.

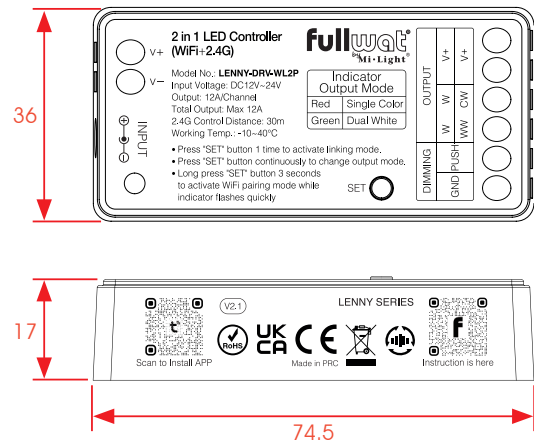
Compatible with Alexa, Google Home and Google Assistant. Auto-sync and auto-transmit function.



Specifications

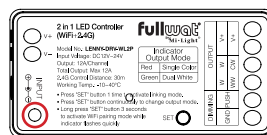
2 in 1 receiver	
Model	LENNY-DRV-WL2P
Input voltage	DC12V~24V (terminal block & DC Jack input)
Max. current	12A per channel
Total Max. Current	12A
Working temperature	-10~40°C
Frequency working	2.4GHz
Max. covering distance	30m
Wiring type	Common Anode

units: mm



Configuration

By means of the "SET" button on the controller, you can select which type of product is being controlled. Press the button "SET" continuously to change output mode.



- Indicator light:
- Single color
 - Tunable white

Suitable for

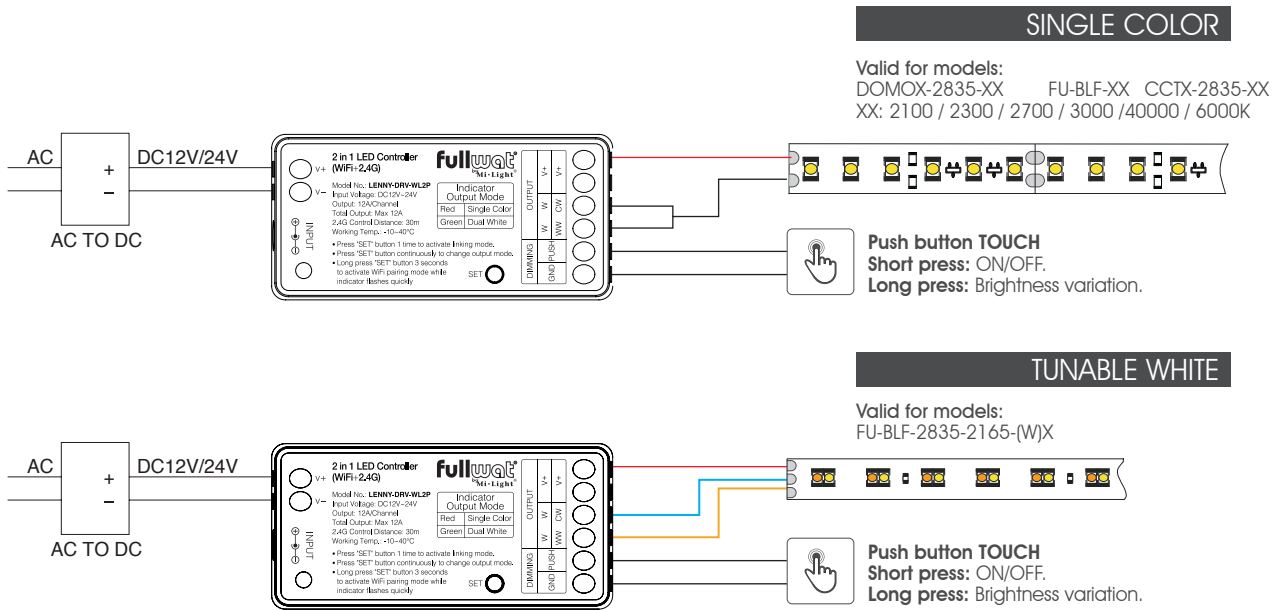
1 zone	Remote controls	LENNY-MD-085	4 zones	Remote controls	LENNY-MD-007
		LENNY-MD-086			LENNY-MD-092
		LENNY-MD-087		Touch panel	LENNY-PAN-B4
		LENNY-MD-088		Remote control	LENNY-MD-089
	Touch panels	LENNY-PAN-B0	8 zones	Touch panel	LENNY-PAN-B8

* Among other models. Call our sales department.

Consult user manual corresponding to the installation in the following link: [LENNY-FULLWAT](#)

Led Strip-controller connection

Connection drawing



Press "SET" continuously to switch between single color and tunable white mode.

