

# DPS Series 3 Phase 480W AC-DC DIN Rail Power Supplies



## Key Features

- 24 & 48 VDC
- 3 Phase Input: 340-575VAC / 480-820VDC
- High Efficiency
- Short Circuit Protection
- Internal Input Filter
- IP20 Protection Rated



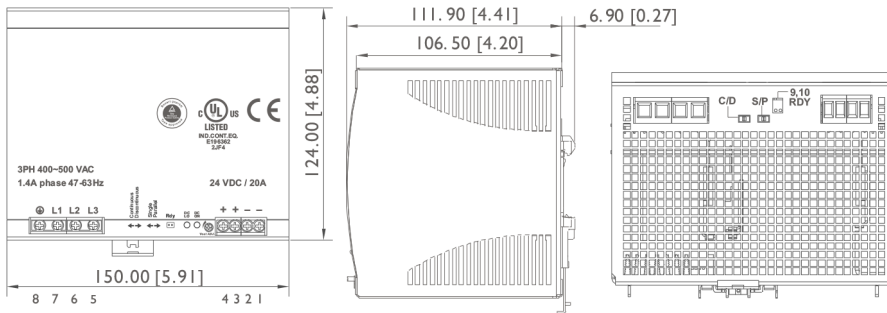
## Technical Specification - 480W Output

Model	DPS-3-480-24DC	DPS-3-480-48DC
Input Voltage	340-575VAC / 480-820VDC	
Output Wattage	480W	
Output Voltage	24VDC	48VDC
Output Current	20A	10A
Efficiency (min/typ)	88/90%	89/91%
<b>General Specification</b>		
Approval	cURus	
Isolation Voltage	3000VAC/4242VDC	
Isolation Resistance	100MΩ @ 500VDC	
Ambient Temperature	-30 to +71°C	
Derating	(61 to 71°C) 2.5%/°C	
Storage Temperature	-40 to +85°C	
Relative Humidity	20 to 95% RH	
Cooling	Free air convection	
Dimensions	L124 x W150 x D118.8 mm	
Weight	1720g	
Case Material	Metal	
<b>Input Specifications</b>		
Rated Input Voltage	400 ~ 500VAC	
Input Voltage Range	340 to 575VAC, 480 to 820VDC	
Line Frequency	47 ~ 63Hz	
Inrush Current (400VAC)	typ. 20A, max. 25A	
<b>Output Specifications</b>		
Output Voltage Accuracy	+ 1%	
Minimum Load	0%	
Line Regulation	± 1%	
Load Regulation	± 1%	
Turn On Time	1000ms after AC applied to input at full resistive load	
Voltage Fall Time	150ms	
Voltage Rise Time	150ms	
Hold Up Time (115 / 230VAC)	20ms	
Temperature Coefficient	±0.03%/°C	
Ripple & Noise	100mV	
Voltage Trim Range	22.5 ~ 28.5VDC	47 ~ 56VDC
DC ON & LOW Indicator (Green & Red LED)	17.6 ~ 19.4VDC	37 ~ 43VDC
<b>Control &amp; Protection</b>		
Rated Overload Protection	110 ~ 135%	
Over Voltage Protection	30 ~ 33VDC	60 ~ 66VDC
Output Short Circuit	Fold Forward	

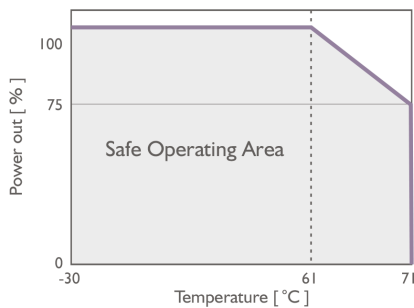
# DPS Series 3 Phase 480W AC-DC DIN Rail Power Supplies



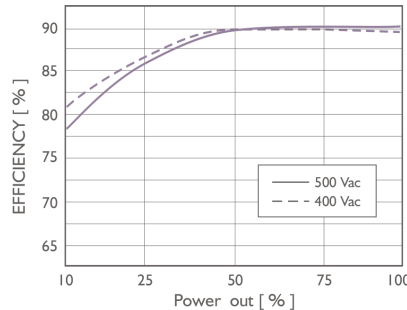
## Dimensions (mm)



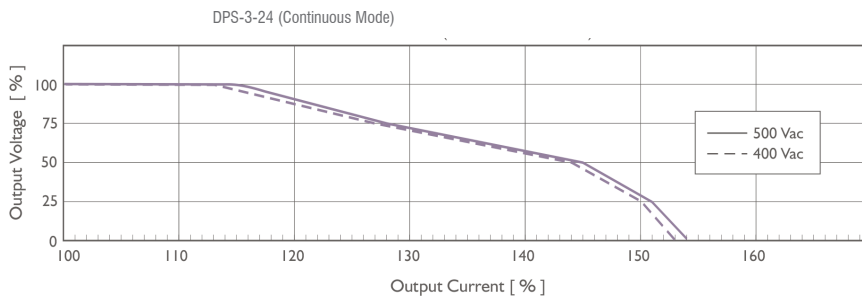
## Derating



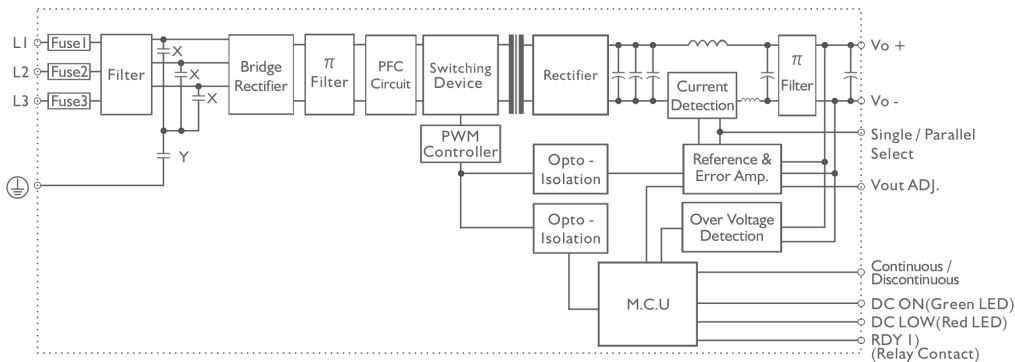
## Typ. Efficiency Curve



## Typ. Current Limited Curve



## Circuit Schematic



Note: 1) For 24V Model Only

## Pin Connections

Key		Description
1, 2	V -	Negative output terminal
3, 4	V +	Positive output terminal
5	L3	Input terminals
6	L2	Input terminals
7	L1	Input terminals
8		Ground this terminal to minimise high-frequency emissions
9	RDY	A normal open relay contact for DC ON level control
10		(Never connect except 24V model)
	DC ON	Operation indicator LED
	DC LO	DC LOW voltage indicator LED
	Vout ADJ	Trimmer-potentiometer for Vout adjustment
	S / P	Single / Parallel select switch
	C / D	Continuous / Discontinuous

## Installation

**Ventilation / Cooling**  
Normal convection  
All sides 25mm free space  
For cooling recommended

**Connector Size Range**  
AWG24-10 (0.2 ~ 4mm<sup>2</sup>) flexible / solid cable,  
- Input connector can withstand torque at maximum 9 pound-inches  
- Output connector can withstand torque at maximum 5.5 pound-inches  
8 m/m stripping cable end recommends  
Use copper conductors only, 60 / 75°C

## Construction

Easy snap-on mounting onto the DIN-Rail (TS35/7.5 or TS35/15), unit sits safely and firmly on the rail.