



Input: 100-240VAC 50/60Hz
Output Voltage: 5V-48V DC
Rated Power: 100W max

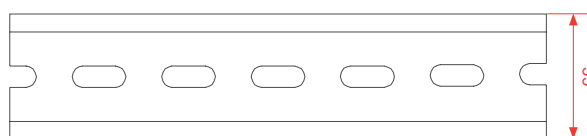
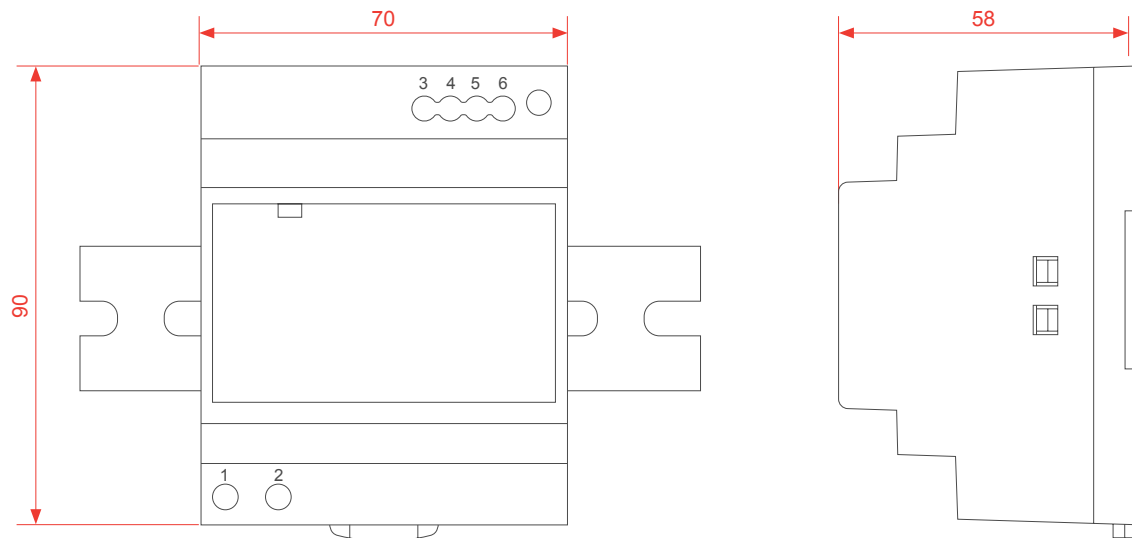
Features

- High efficiency.
- 100% Full Load Burn-In.
- Low Ripple & Noise.
- Adjustable DC Voltage Output.
- Protections: Overload / Over Voltage / Short Circuit.
- Three-year Warranty.
- Isolation Class II.

Applications

- Access Control.
- Home Control System.
- Automation.
- Communication Equipment.
- Industrial Control System.

Dimensions and installation



Admissible DIN-RAIL: TS35/7.5 OR TS35/15

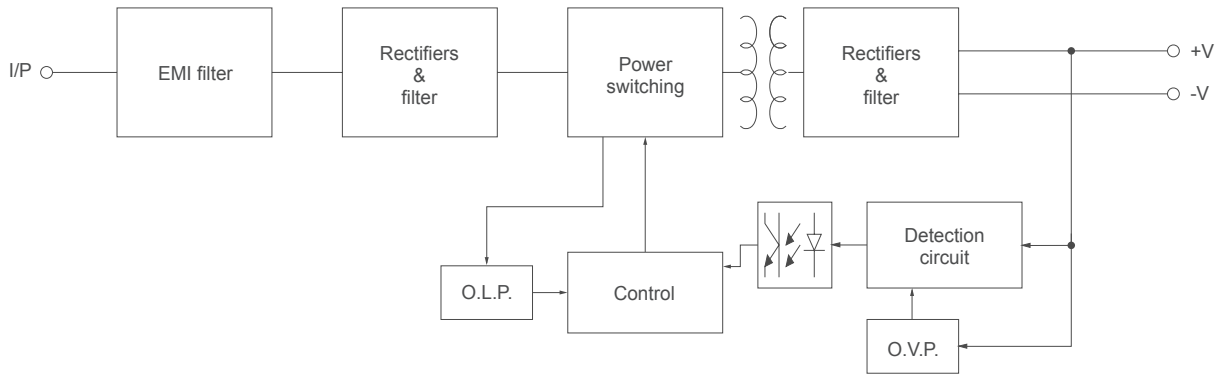
Terminal Pin No. Assignment

Pin No.	Assignment	Pin No.	Assignment
1	AC/L	3, 4	-V
2	AC/N	5, 6	+V

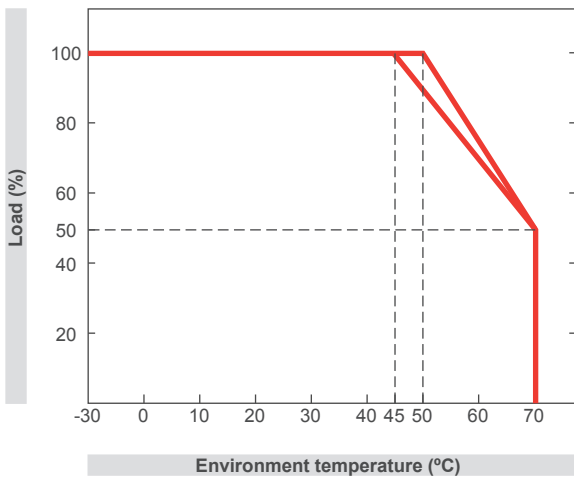
Specification

Model		FDIN5-12V2	FDIN5-15V2	FDIN5-24V2	FDIN5-48V2
Input	Input voltage	100-240VAC			
	Input frequency	47~63Hz			
	Inrush current	35A/115VAC 70A/230VAC			
	AC Current	3A/115VAC 1.6A/230VAC			
	Leakage current	<0.25mA/240VAC			
	Efficiency (Typ.)	88%	89%	90%	91%
Output	DC Voltage	12V	15V	24V	48V
	Rated current	7.1A	6.13A	3.83A	1.92A
	Rated power	85.2W	92W	92W	92W
	Voltage tolerance	±2%	±2%	±2%	±2%
	Ripple & Noise	120mVp-p	120mVp-p	150mVp-p	240mVp-p
	Line regulation	±1%	±1%	±1%	±1%
	Load regulation	±1%	±1%	±1%	±1%
	Setup, Rise, Hold Up time (Typ.)	500mS/ 80mS/ 12mS (115V/60HZ MAX ROAD) 500mS/ 80mS/ 30mS (230V/50HZ MAX ROAD)			
Environmental	Operating temperature	-20°C to 50°C, Full load, Normal operation			
	Storage temperature	-40°C to 80°C			
	Storage humidity	10 ~ 95% RH			
	Working humidity	20% ~ 90% RH Non-Condensing			
Protection	Over load	>130%-200% Rated Output Power			
		Protection type: Hiccup mode- recovers automatically after fault condition is removed			
	Over voltage	110~145%			
		Protection Type: Clamp by Zener diode			
	Short circuit	Protection to zero voltage			
Over current	110%-180%				
Safety&EMC	Safety regulations	UL62368-1, IEC62368-1, EN62368-1			
	Withstand voltage	I/P-O/P: 3KVAC			
	Isolation resistance	I/P-O/P: 100M Ohms / 500VDC / 25 / 70% RH			
	EMC emission	EN55032(CISPR32), CNS13438 Class B, EN61000-3-2 Class A, EN61000-3-3, EN61000-4-2,3,4,5,6,8,11, EN55024, EN55035, EN61000-6-2, EN61204-3			
Others	MTBF	200,000 Hours Minimum at Full Load at 25°C Ambient			
	Size	90*70*58mm			
	Weight	270g/pcs			
	Packaging	50PCS/CTN			

Functional diagram



Derating curve and temperature



Minus output and input voltage curves

