



---

FU-ADPY36-24 • Switching power supply



## FU-ADPY36-24 • Switching power supply

### 1. Scope

The purpose of the document is to specify the functional requirements of a 36W switching power supply.

### 2. Input characteristics

<b>Input Voltage</b>	Rated voltage	100~240VAC
	Variation range	90-264VAC
<b>Input Frequency</b>	Rated frequency	50/60Hz
	Variation frequency	47-63Hz
<b>Input Current</b>	1.0Amps max At any input voltage and rated, DC output rated load	
<b>AC Leakage current</b>	0.25mA Max.At264Vac input	

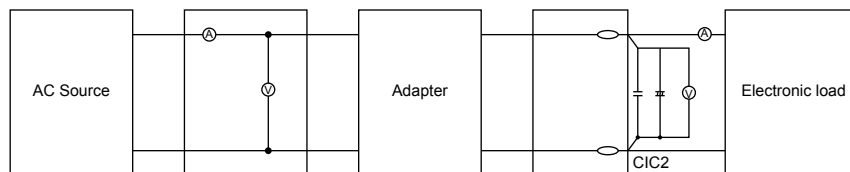
### 3. Output characteristics

Power output				
Voltage	Min. Load	Rated Load	Peak Load	Output power
24VDC	0.00A	1.5A		36W

Combined Load/Line Regulation				
Voltage	Min. Load	Rated Load	Peak Load	Output power
24VDC	0.00A	1.5A	±3%	±5%

#### 3.1 Ripple and Noise

Output Ripple voltage is 300mV peak to peak or less.(100Vac 60Hz/240Vac 50Hz).



#### Measured methods:

\* The ripple is measured from peak to peak with band width limit of 20MHz (C1:0.1uF Ceramics capacitor  
C2:47uF/50V Aluminum capacitor under DC output full load, AC nominal input 25°C ambient temperature).

#### 3.2 Turn on delay time

3 Second Max.at 115Vac input and output Max.load

#### 3.3 Rise time

70 mS Max.at 115Vac input and output Max load.

#### 3.4 Hold up time

5 mS Min.at 115Vac input and output Max.Load.

#### 3.5 Efficiency

82% Min. at 115Vac input and output Max.Load.

82% Min. at 230Vac input and output Max.Load.

#### 3.6 Standby Power

Rated Voltage: 100~240Vac 0.3W max

## 4. PROTECTION FUNCTION

### 4.1 Short circuit protection

The power supply will be auto recovered when short circuit faults remove.

### 4.2 Over current protection

The power supply will be auto recovered when over current faults remove.

**4.3** Output voltage achieve over voltage protection point.will auto protection without output.be capable of auto-recovery function.

## 5. ENVIRONMENTAL REQUIREMET

### 5.1 Operating Temperature

0°C to 40°C, Full load, Normal operating.

### 5.2 Storage Temperature: -10°C to 80°C

With package.

### 5.3 Relative humidity

25%(0°C)~75%(40°C)RH, 72Hrs, Full load, Normal operating.

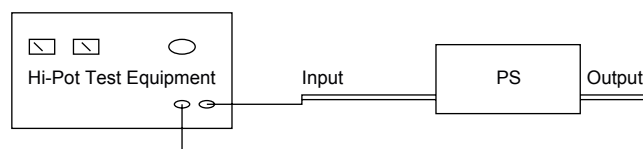
## 6. SAFETY AND EMI REQUIREMENT

**6.1 Safety:** Comply with EN62368.

**6.2 Insulation Resistance:** 500VDC primary to the secondary input impedance of 100MΩ (Min).

### 6.3 Dielectric withstand Hi-Pot

HI-POT-- primary to secondary 3000Vac 5mA 1min.



### 6.4 EMI standard

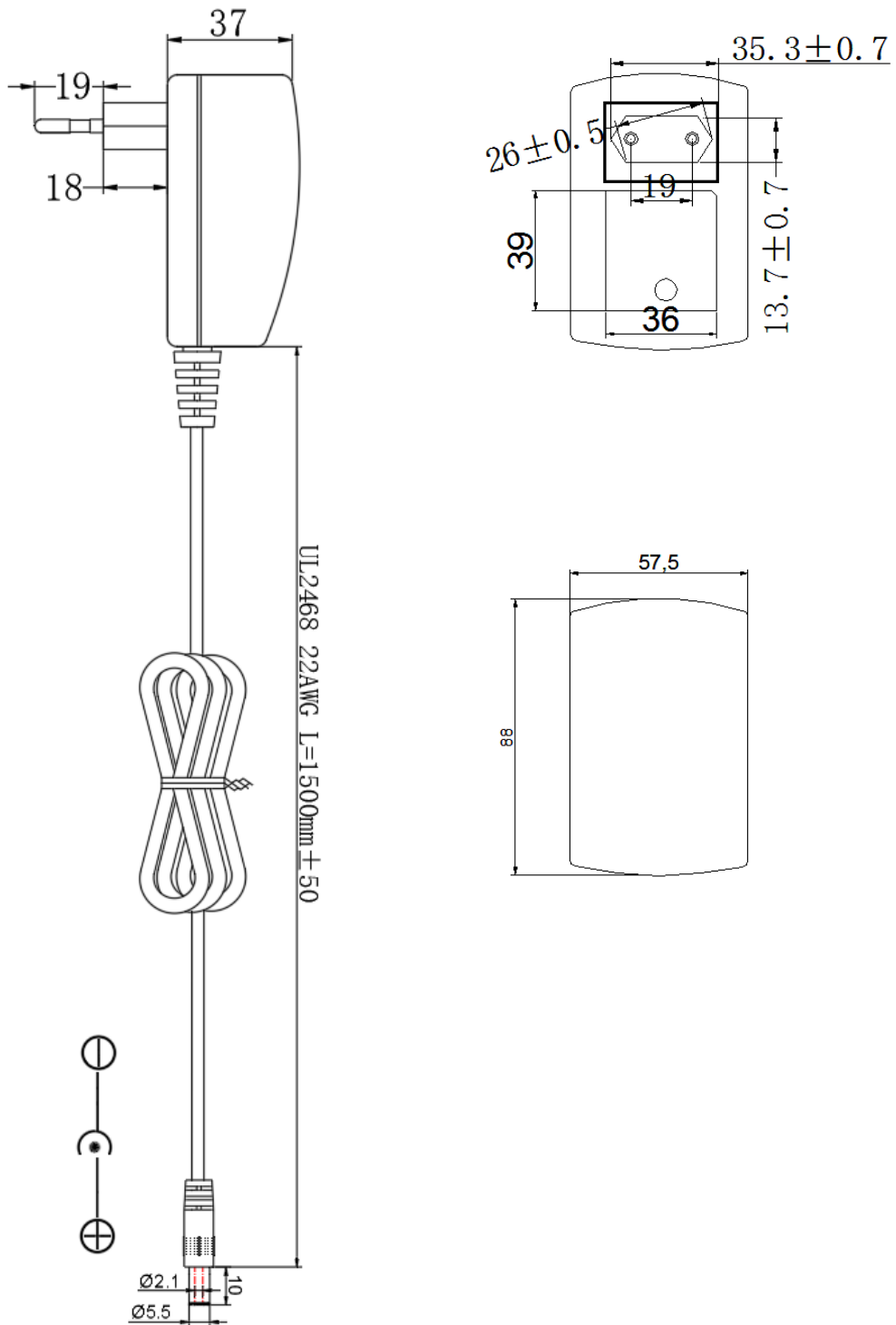
Meets the Limits of

<1>. EN55032 class B rules

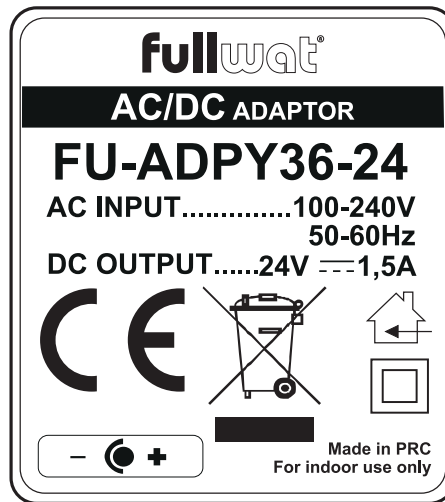
## 7. Enclosure

The power supply size: L88 x W57.5 x H37mm

## Outline dimensions

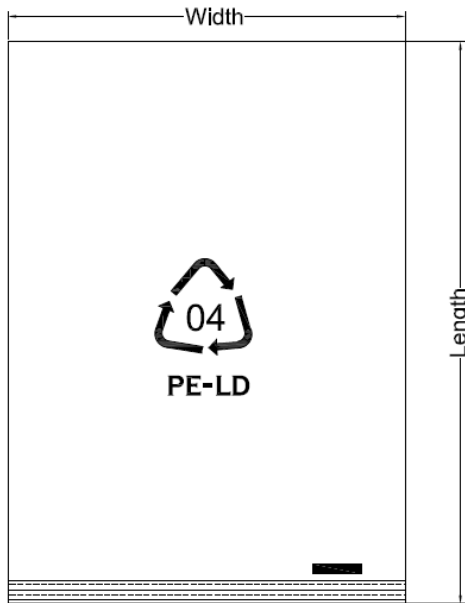


## LABEL



36 x 39 mm

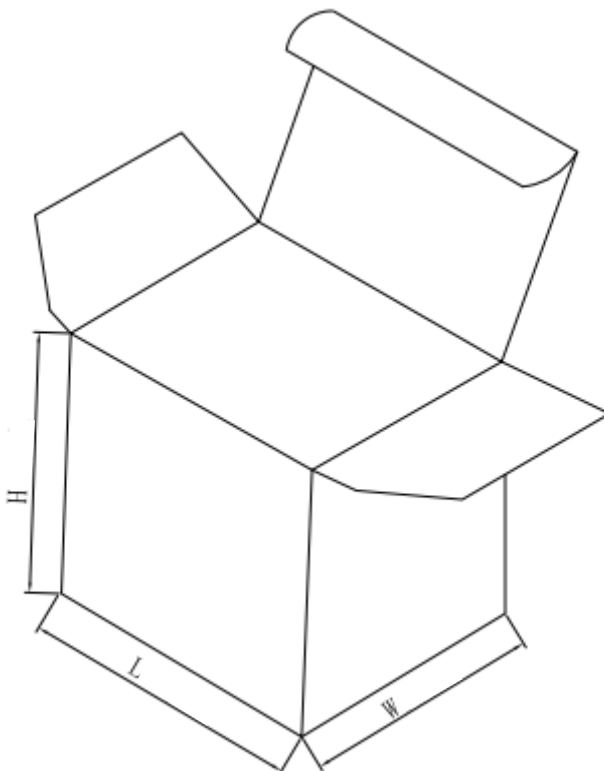
## Packing step



### PE bag

Length: 170mm

Width: 120mm



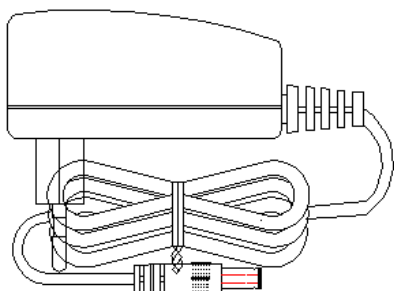
### Inner box

Length: 104mm

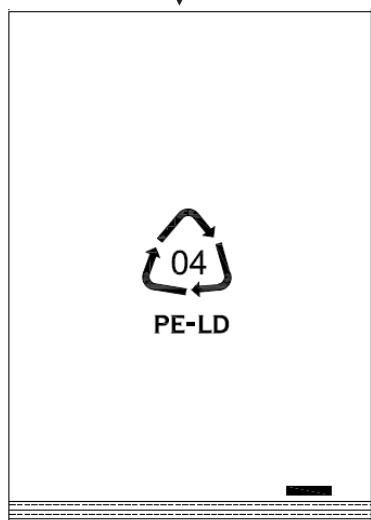
Width: 61mm

Height: 82mm

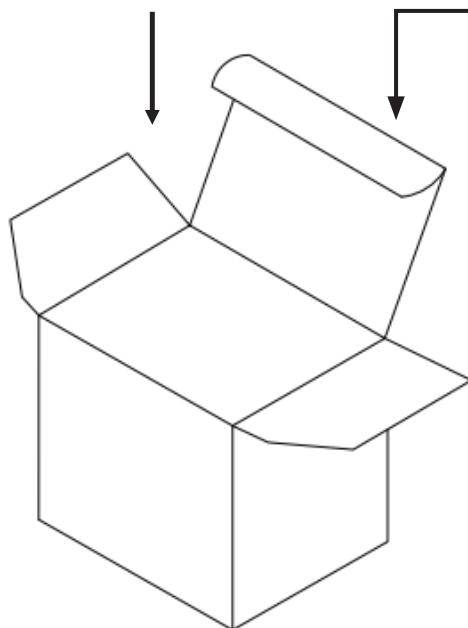
## Packing step



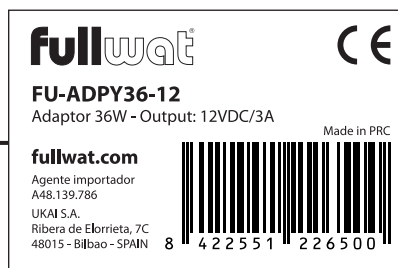
A. Product



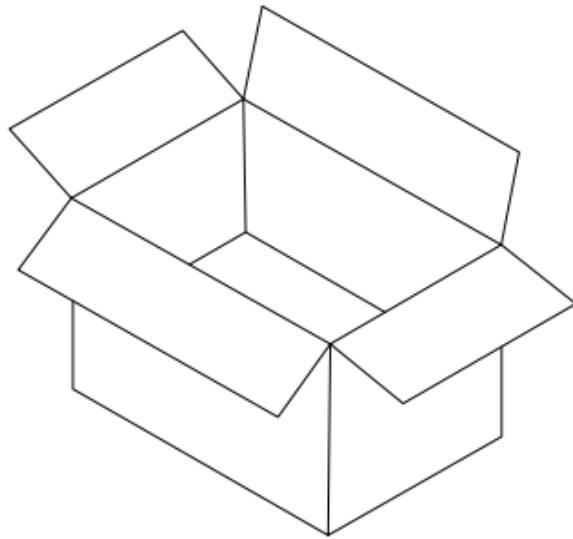
B. PE bag



C. Inner box



## Packing step



### Packing request

Packaging

Outsidebox: 545L\*430W\*145H

Quantity: 50PCS/CTN

### Remarks

1. Firstly, put the product into PE bag according to the picture "A/B".
2. After finishing the first step, then put the product into white box according to the picture "C".
3. Then put the product into outer carton.
4. When packing finished, then seals the carton and labels the mark.
5. Through the QA inspection, the products can be shipped.