

**fullwat**<sup>®</sup>  
professional *solutions*

---

**FU-PL-CR9V** • High Power battery  
Lithium Manganese Dioxide (Li-MnO<sub>2</sub>) battery



**FU-PL-CR9V • High Power battery**

Lithium Manganese Dioxide (Li-MnO<sub>2</sub>) battery

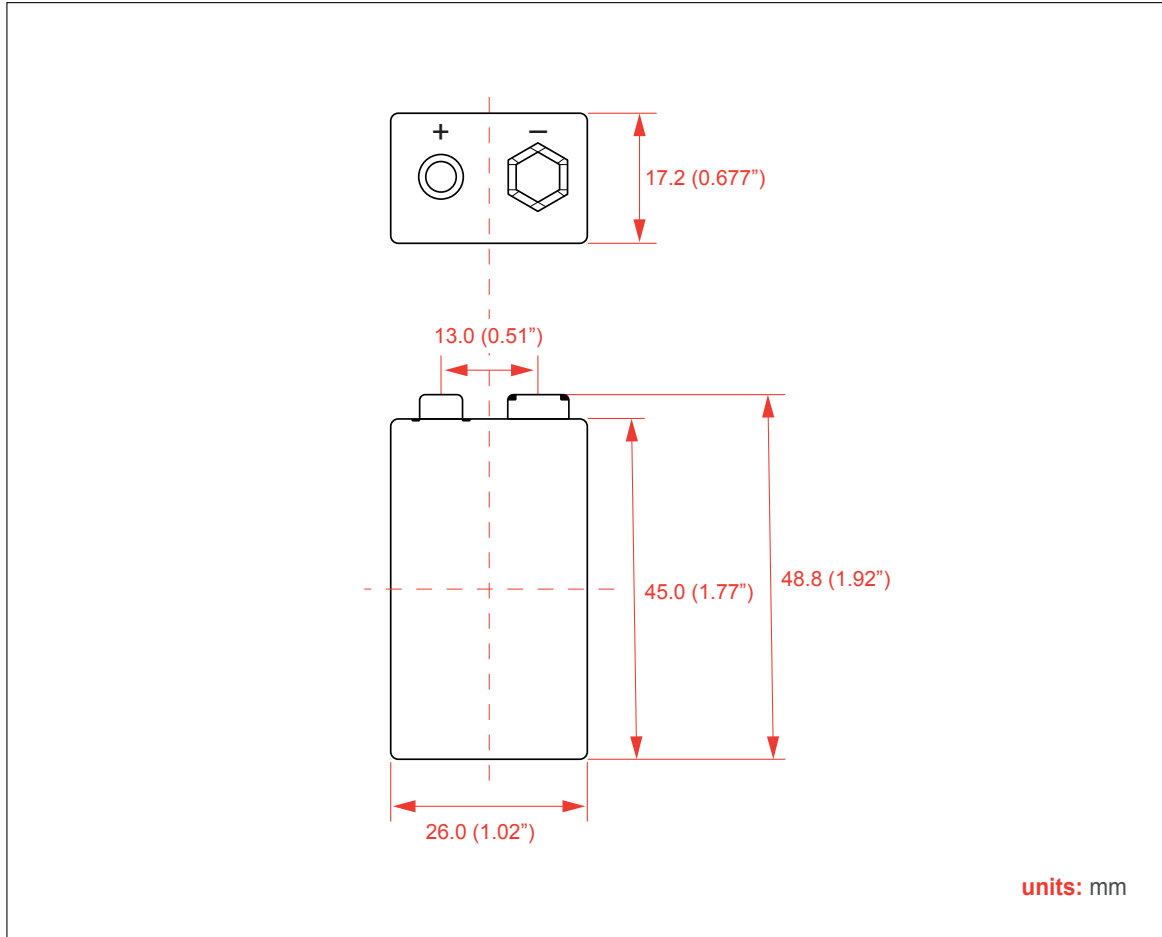
**1. Electrical Characteristics**

Nominal capacity	1,2Ah
Nominal voltage	9V
Maximum recommended continuous current	120mA
Maximum pulse current	400 mA
Storage	30°C
Operating temperature range	-40°C/+85°C
Typical weight	50.5g

**Warning:**

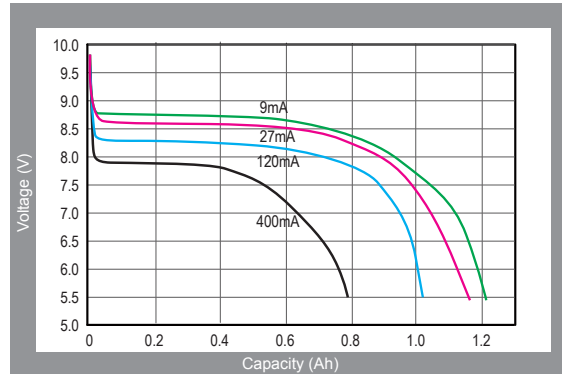
- Do not short-circuit between “+” and “-” terminals.
- Do not charge, damage the battery or throw it into fire.
- Do not solder directly on the battery.
- Please use wire or nickel sheet by spot welding. Take out the battery when discharged to cut-off voltage, and dispose of according to the national and local laws.

International size reference: 6F22

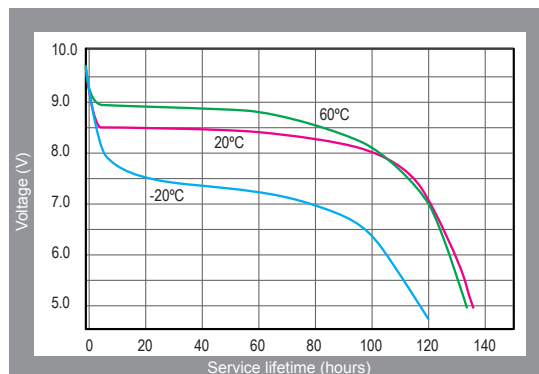


**FU-PL-CR9V • High Power battery**  
Lithium Manganese Dioxide (Li-MnO<sub>2</sub>) battery

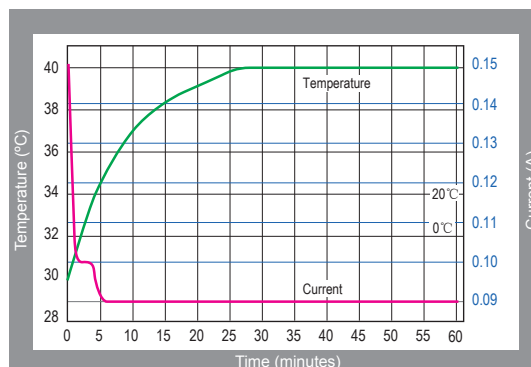
**2. Discharge characteristics**



**3. Temperature characteristics**



**4. Short circuit temperature Vs current VS time**



**5. Warranty**

The warranty is specified in our warranties section of Terms of Sales. If the product is to be stored for more than three months it is necessary to perform the appropriate maintenance to ensure the good condition of the batteries. Consult our annex to the Terms of Sales on the recommended maintenance.