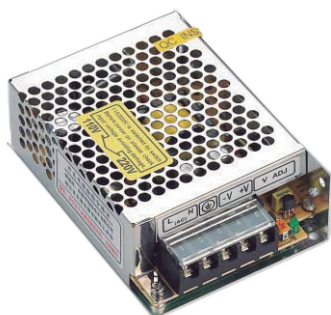


LUXOR-075P series

50-75W switching power supply



Features

- AC input voltage range selected by switch.
- Small volume, low weight, high efficiency.
- Protections: short circuit / over load.
- Cooling by free air convection.
- LED indicator for power on.
- 100% full load burn-in test.
- 3 years warranty.

Specification



Model		LUXOR-075P05	LUXOR-075P12	LUXOR-075P15	LUXOR-075P24
Output	DC Voltage	5V	12V	15V	24V
	Voltage tolerance	±2%	±1%	±1%	±1%
	Rated current	10A	6.3A	5A	3.2A
	Current range	0 ~ 10A	0 ~ 6.3A	0 ~ 5A	0 ~ 3.2A
	Rated power	50W	76W	75W	77W
	Ripple&noise	80mVp-p	120mVp-p	120mVp-p	120mVp-p
	DC voltage ADJ. range	-9~+10%	±10%	±10%	±10%
	Setup, rise, hold up time	1000ms, 30ms, 20ms/230VAC			
Input	Voltage range	90 ~ 132VAC 170 ~ 264VAC 47 ~ 63Hz (selected by switch), 235 ~ 373VDC			
	AC current	1.8A/115V 0.9A/230VAC			
	Efficiency	82%	82%	82%	84%
	Inrush current	Cold start 18A/115V 36A/230VAC			
	Leakage current	<1mA/240VAC			
Protection	Overload	Rated output power 105% ~ 135% Start overload protection			
		Protection type: hiccup mode, auto-recovery after fault condition is removed			
Environment	Working temp, humidity	-10°C ~ +60°C; 20% ~ 90% RH (Please refer to "derating curve")			
	Storage temp, humidity	-20°C ~ +85°C; 10% ~ 95% RH Non-condensing			
	Withstand vibration	10 ~ 500Hz, 2G 10 min/1 Cycle, Period for 60min, Each axes			
Safety	Withstand voltage	I/P-O/P: 1.5KVAC I/P-FG: 1.5KVAC O/P-FG: 0.5KVAC			
	Isolation resistance	I/P-O/P: I/P-FG, O/P-FG: 100M Ohms/500VDC			
Fit standard	Safety standard	EN61347-1; EN61347-2-13			
	EMC standard	EN55015; EN61547			
Others	Weight	0.28kg			
	Dimension	111*78*36 (L*W*H)			
	Packing	0.28kg/50pcs/15kg/0.96 CUFT			

Note:

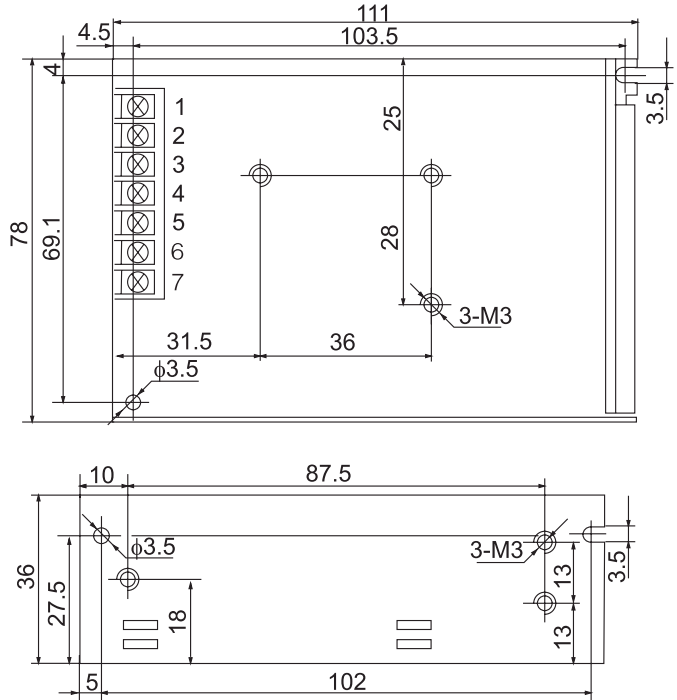
1. All parameters NOT specially mentioned are measured at 230VAC input, rated load and 25°C of ambient temperature.
2. Ripple & noise are measured at 20MHz of bandwidth by using a 12" twisted pair-wire terminated with a 0.1uf & 47uf parallel capacitor.
3. Tolerance: includes set up tolerance, line regulation and load regulation.

Mechanical specification

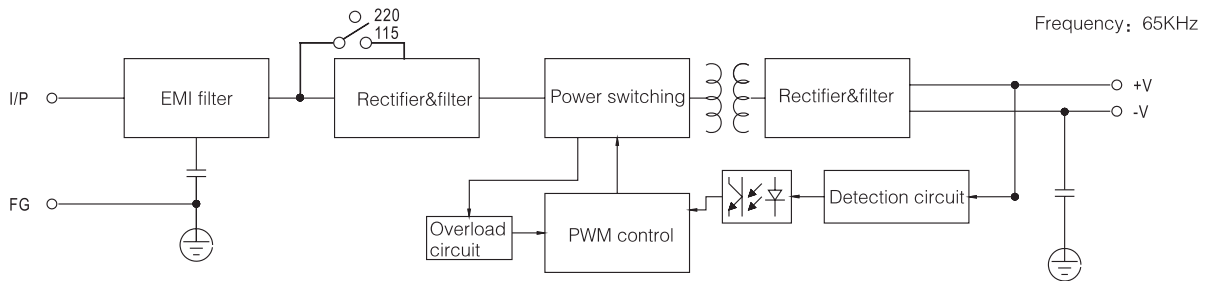
Unit mm

Terminal Pin No. Assignment

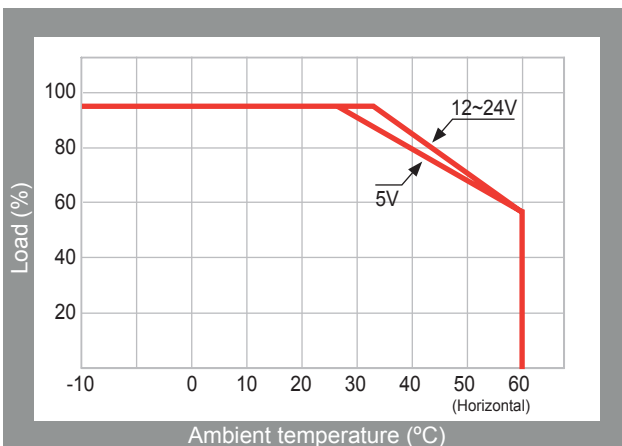
Pin No	Assignment
1	AC/L
2	AC/N
3	FG \perp
4	DC OUTPUT -V
5	DC OUTPUT +V



Block diagram



Derating curve



Static characteristics

