



SENS-E-IRM-1 Surface Mounting Hand Sensor



Description	Dimension	Voltage	Input current	Load
Sensor Switch	12 x 12mm	12-24VDC	4Amps.	48W for 12V 96W for 24V

Functions

- Automatically switch on when door is opening.
- Input voltage: 12-24VDC
- Output voltage: 12V-24VDC



Input and output cable length: 25cm
(Customized length can be ordered)

LED sensor detector cable length: 1m
(Customized length can be ordered)

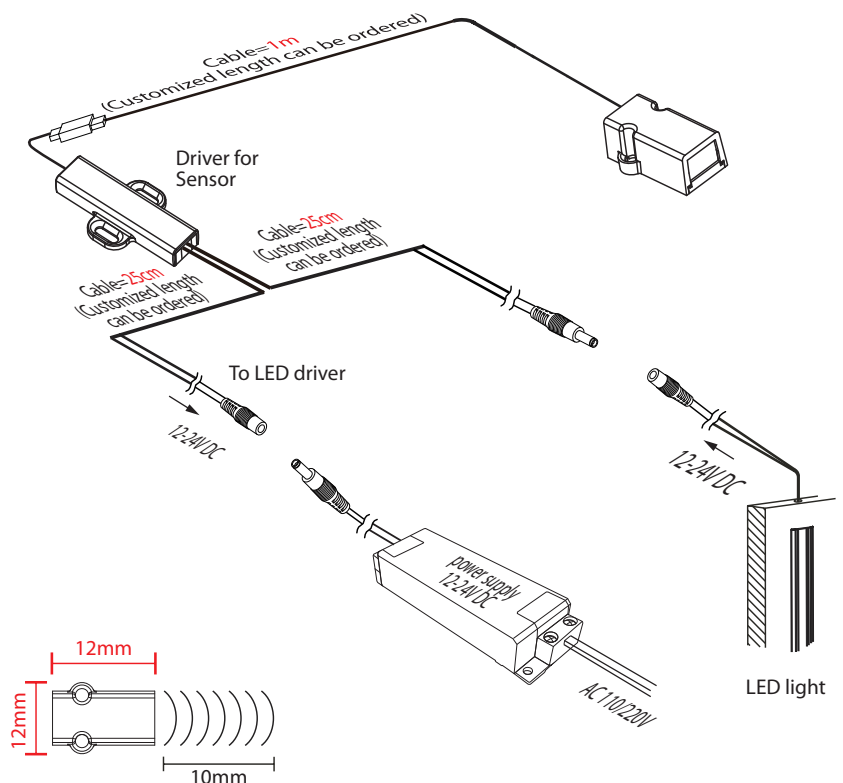
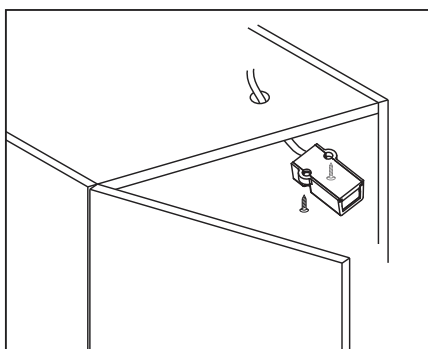
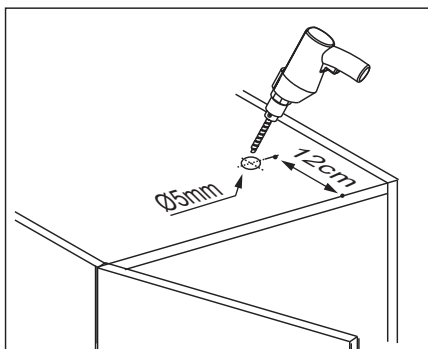
Operation

The LED lamp connected to the output end. The IR sensor switch will turn on when the door open and would be off when the door close. Detection range is 10cm from the sensor detector to the door.

The sensor switch will turn on or off with above repeatable steps.

Detective Distance: ≤10cm

Installation:



Note: Please read the tag on the wire when connecting cables.