

AMPLEX-3CV-10 RP530

LED Power Amplifier Series

Summary

Thanks for using our Power Repeater. Before using this product, please read this manual carefully and check if there's any defect during transportation before use, if so please don't use and inform your supplier immediately.

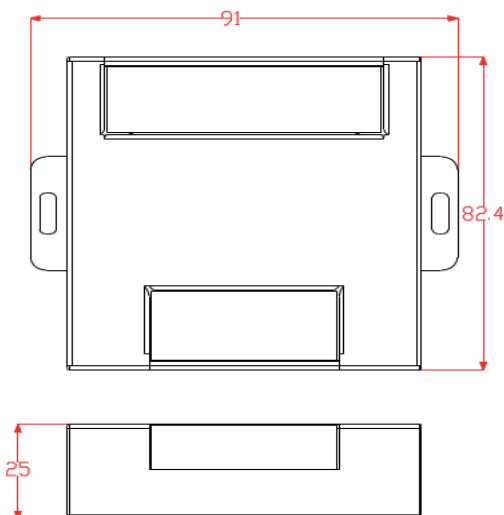
Product features

- For the power of synchronous change signal amplification.
- High power of each output.
- High-speed process data, no delay, no flicker.
- Acceptable PWM control.
- DC12-24V wide voltage input.
- 3 Channel RGB control, 10A per channel.
- Applicable any LED module.

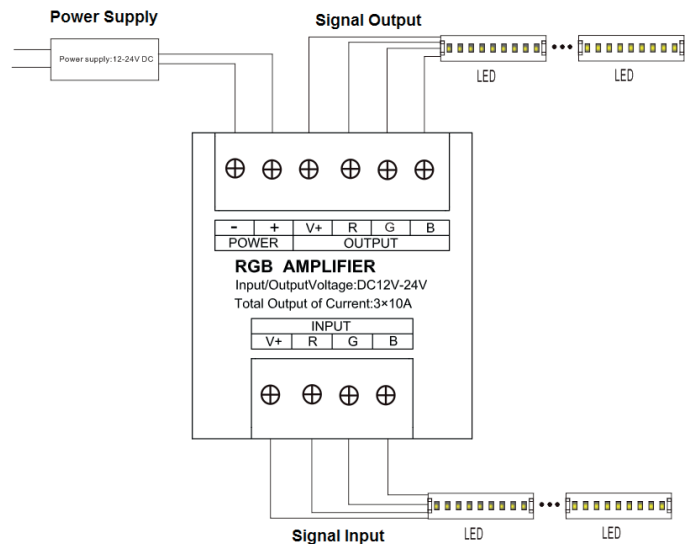
Technical Parameter

Input Voltage	DC12-24V
Output Current	10A
Channels	3
Output voltage	12-24VDC
Signal output	RGB
Max Load current	10A/CH*3CH
Output power	360W max(12V) 720W max(24V)
Dimension	L82.4*W91*H25 mm
Package size	L84*W93*H27 mm
G.W.	224g

Dimensions (mm)



Wiring Diagram



Troubleshooting Guide

Problem	Reason	Solution
No light	<ol style="list-style-type: none"> 1. Switching power supply without power. 2. Invert "+" and "-" of power supply. 3. Wrong connection or not strong. 4. LED lamp bad 	<ol style="list-style-type: none"> 1. Check the switching power. 2. Corrected. 3. Check wiring. 4. Replace LED lamp.
LED uneven brightness	<ol style="list-style-type: none"> 1. The output line is too long with voltage drop. 2. The wire diameter is too fine with voltage drop. 3. Power load is too large. 4. Repeater overload. 	<ol style="list-style-type: none"> 1. Shorten the line or ring power supply. 2. Replace coarse wire. 3. Replace larger power. 4. Increase power expander.

Notice: Switch power supply effective power is power supply 80% of the mark, so the user select the power a little higher than the load power of LED light, at least more than 20%.