

# AMPLEX-3CV-5 RP306

LED  
Power Amplifier Series



## Product features

- For power repeat of synchronous changing signal.
- 3 channel RGB control, the max current of each channel up to 5A.
- Accepts PWM control.
- Match with many kinds of LED modules.
- Theoretically we can connect limitless LED modules by connecting the repeaters in series.

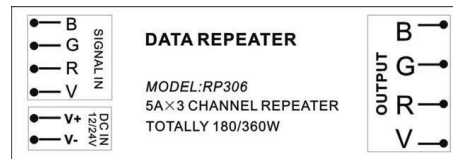
## Technical Parameter

Power Supply	DC 12-24V
I/O Channel	3
Power out	5A (each channel Max 12V, 180W / 24V, 360W)
Size	165(L)X39(W)X26(H) mm
Weight	260g

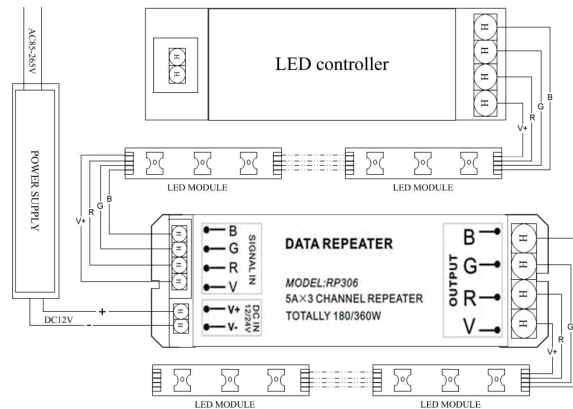
## Applications

- Building Decoration: Business spaces, airports, subway.
- Indoor Decoration: Lighting and back lighting for hospital, hotel, marketplace, square, dining-room, pub, etc.
- AD solid Word, sign and mark, signboard and billboard.
- Be used as big area back lighting source.

## Panel Surface



## Wiring Diagram



### Remark:

1. Can control various single color modules.
2. Can connect 100 pieces of RGB modules or 300 pieces of single color modules, or a number of high power LED lamps (according to the connection method).