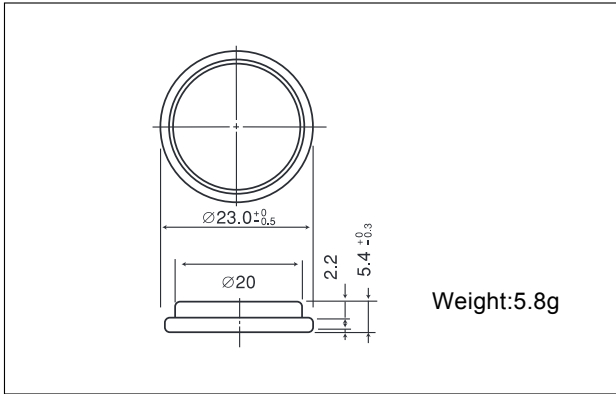


Manganese Dioxide Lithium Coin Batteries: Individual Specifications

CR2354

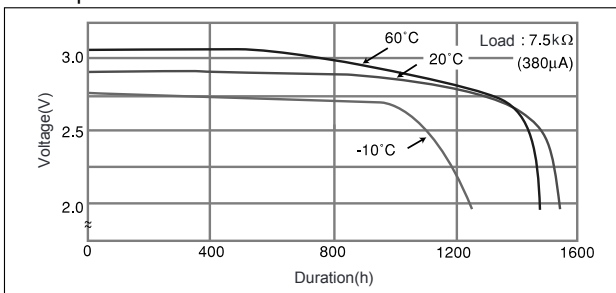
Dimensions(mm)



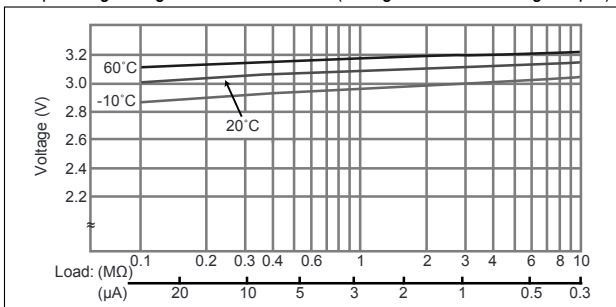
Specification

Nominal voltage (V)	3
Nominal capacity (mAh)	560
Continuous standard load (mA)	0.2
Operating temperature (C)	-30 ~ +60

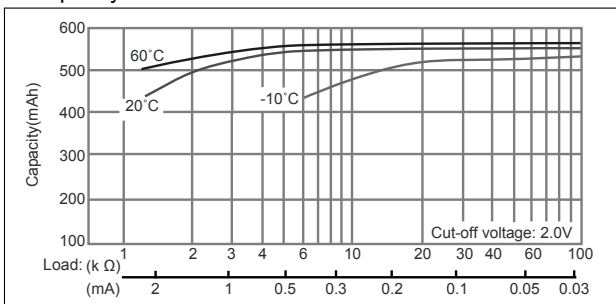
Temperature Characteristics



Operating voltage vs. load resistance (voltage at 50% discharge depth)

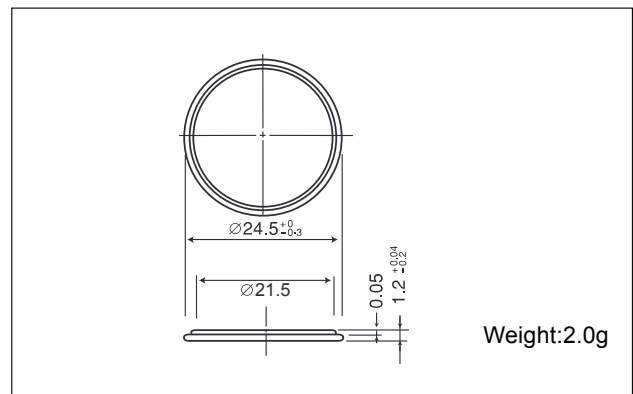


Capacity vs. load resistance



CR2412

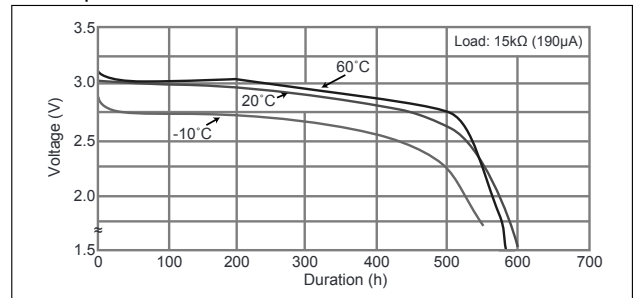
Dimensions(mm)



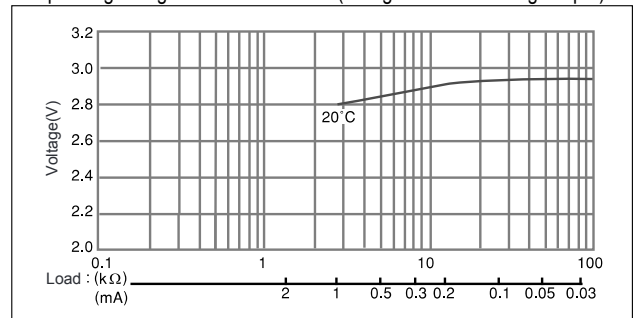
Specification

Nominal voltage (V)	3
Nominal capacity (mAh)	100
Continuous standard load (mA)	0.2
Operating temperature (C)	-30 ~ +60

Temperature Characteristics



Operating voltage vs. load resistance (voltage at 50% discharge depth)



Capacity vs. load resistance

