



FU-PL-ER34615M • Lithium-thionyl chloride battery



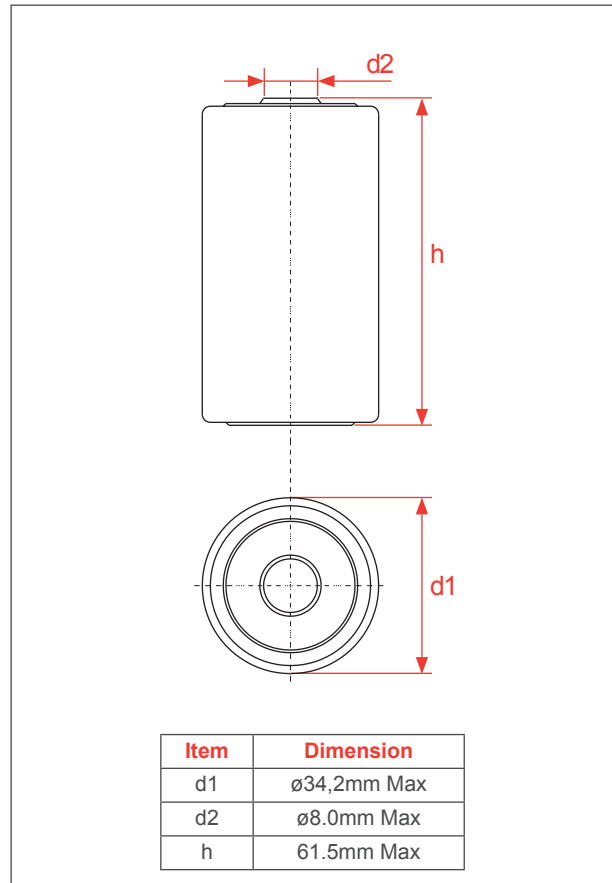
FU-PL-ER34615M • Lithium-thionyl chloride battery

1. Key features

- High and stable operating voltage.
- Low self discharge rate
(less than 1% after 1 year of storage at 25°C)
- Long storage life.
- Stainless steel container (with low magnet).
- Widely operating temperature range.
- Hermetic glass-to-metal sealing.
- Non-flammable electrolyte.

2. Application

- Utility metering.
- Memory back-up.
- Alarms and security devices.
- Tollgate systems.
- Military electronics.
- Automotive electronics.
- Professional electronics.
- GPS tracking.
- Real time clock etc.

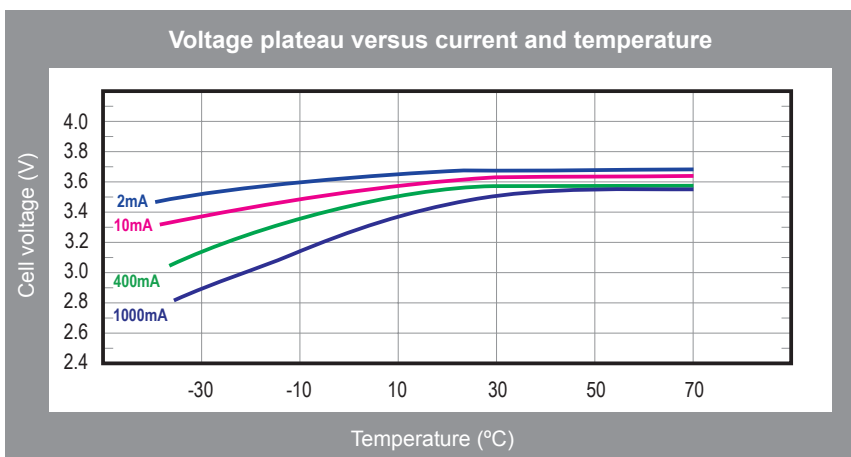
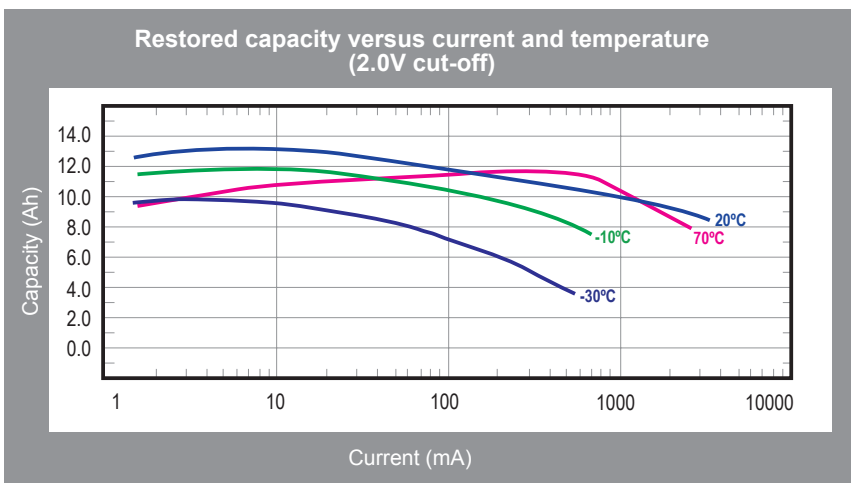
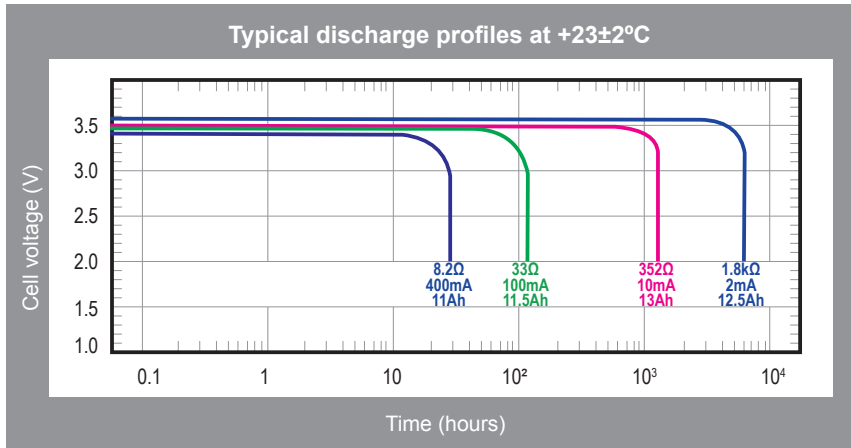


3. Electrical characteristics

(typical values for cells stored for one year or less, at 25°C).

Nominal capacity (At 1 mA, +25 C, 2.0V cut off. The capacity restored by the cell varies according to current drain, temperature and cut off voltage)	13Ah
Nominal voltage	3.6V
Maximum continuous current (To get 50% of the nominal capacity at +25°C with 2.0V cut off. Higher currents possible, consult Fullwat®)	2000mA
Max. pulse capability	3000mA
Storage recommended (for more severe condition consult Fullwat®)	+30°C max
Operating temperature range (Operation at temperature different from ambient may lead to reduced capacity and lower voltage plateau readings)	-55°C /+85°C
Typical weight	Approx. 115g

FU-PL-ER34615M • Lithium-thionyl chloride battery



FU-PL-ER34615M • Lithium-thionyl chloride battery

4. Warning

- It is strictly forbidden to have the battery positive and negative short circuit, charging, discharging, heating over 100°C, remove, anatomy, or may cause explosion, combustion, internal acid leakage.
- Do not solder directly on the battery, should use wire or nickel sheet by pre spot welded .
- Can not mixed use with old and new battery or mixed use different kinds battery.
- Don't assemble the batteries from different manufacturers.
- Do not use the battery over the temperature range.
- Discharged battery should be buried deeply in the ground.

5. Warranty

The warranty is specified in our warranties section of *Terms of Sales*. If the product is to be stored for more than three months it is necessary to perform the appropriate maintenance to ensure the good condition of the batteries. Consult our annex to the *Terms of Sales* on the recommended maintenance.