

IPX-012P24P

12W AC/DC switching power supply

1. Scope

The purpose of the document is to specify the functional requirements of a 12W switching power supply.



2. Input characteristics

Item	Technical Norm
Rated voltage	100-240VAC
Variation voltage range	90-264VAC
Rated frequency	50-60Hz
Variation frequency	47-63Hz
Current	0.3Amps max at any input voltage and rated, DC output rated load
Inrush current	40 Amps Max. Cold start at 230Vac input, with rated load and 25°C ambient.
AC leakage current	0.25mA Max. At 264Vac input

3. Output characteristics

Power output				
Voltage	Min. Load	Rated Load	Peak Load	Output power
24VDC	0.00A	0.5A		12W

Combined Load/Line Regulation				
Voltage	Min. Load	Rated Load	Line regulation	Load regulation
24VDC	0.00A	0.5A	±3%	±5%

Ripple and Noise

Under nominal voltage and nominal load, the ripple and noise are as follows when measured with Max. Bandwidth of 20MHz and Parallel 47µF/0.1µF, crossed connected at testing point.

Voltage: +24Vdc

Ripple and Noise: 300mV p-p Max.

Turn on delay time: 3 Second Max. at 100Vac input and output Max. load.

Rise time: 40 mS Max. at 100Vac input and output Max. load.

Hold up time: 5 mS Min. at 100Vac input and output Max. Load.

Efficiency: 75% Min. at 115Vac input and output Max. Load.

75% Min. at 230Vac input and output Max. Load.

Load power consumption: Rated Voltage: 100~240Vac 0.3W max.

IPX-012P24P

12W AC/DC switching power supply

4. Protection function

Short circuit protection: The power supply will be auto recovered when short circuit faults remove.

Over current Protection: The power supply will be auto recovered when over current faults remove.

Output voltage achieve over voltage protection point.will auto protection without output.be capable of auto-recovery function.

5. Environmental requirement

Operating Temperature: 0°C to 40°C, full load, normal operation.

Storage Temperature: -10°C to 70°C
With package

Relative Humidity: 20%-80%, Normal operating.

6. Safety and EMI requirement

Safety: accord with EN 60950-1.

Insulation resistance: 500VDC primary to the secondary input impedance of 100MΩ(Min).

Dielectric strength Hi-Pot:

Primary to secondary, 3000Vac/5mA/1min.

Primary to case, 3000Vac/5mA/1min.

EMI standard: Meets the Limits of
EN55032 class B rules

7. Mechanical requirement

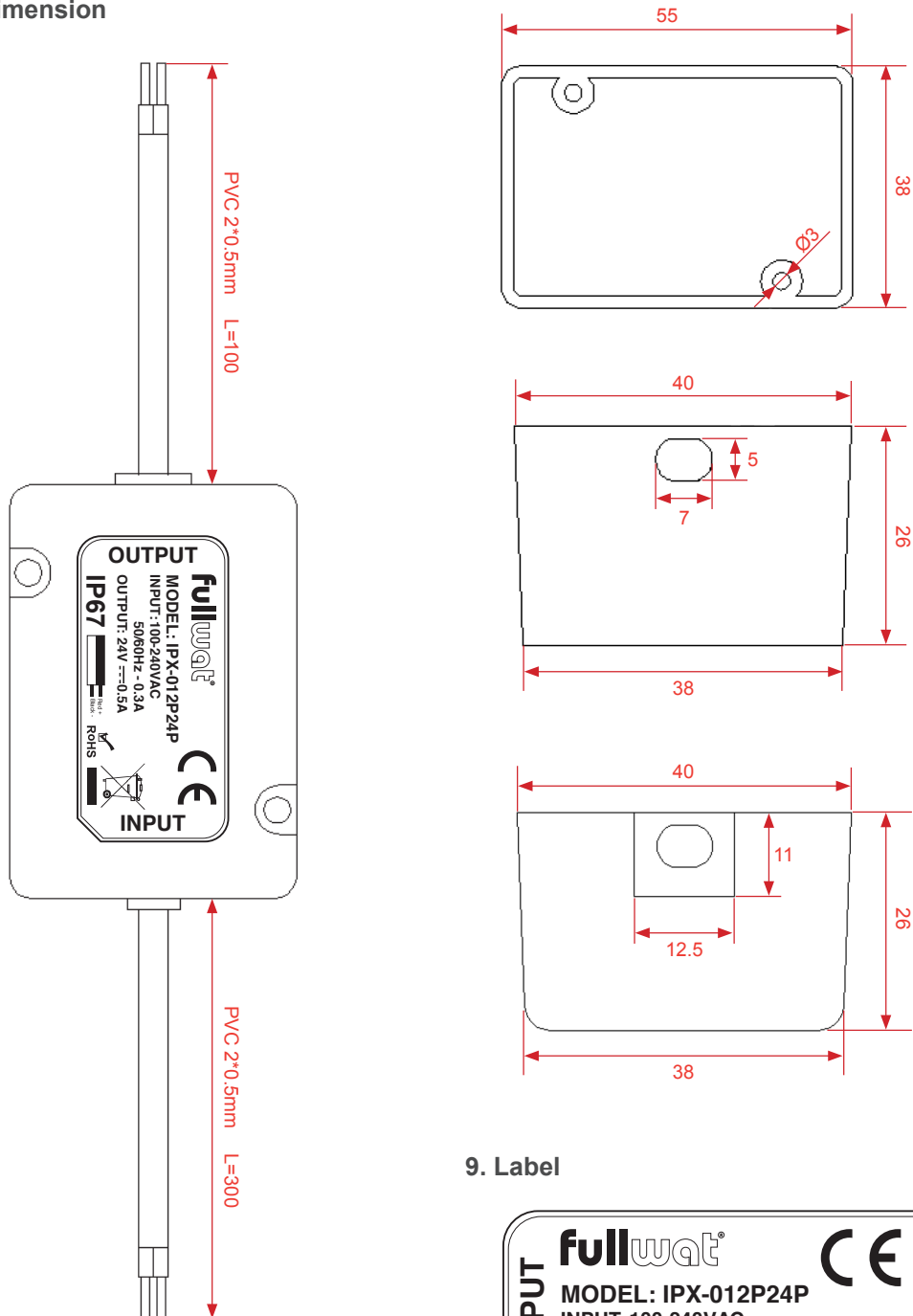
Enclosure:

The power supply size: L55xW40xH26mm.

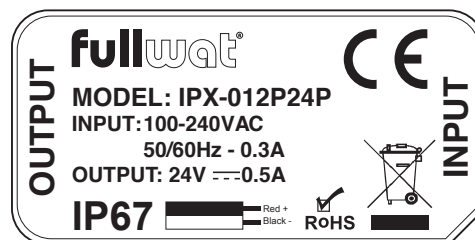
IPX-012P24P

12W AC/DC switching power supply

8. Outline dimension

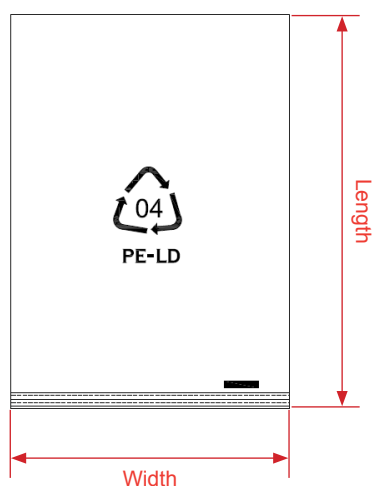


9. Label



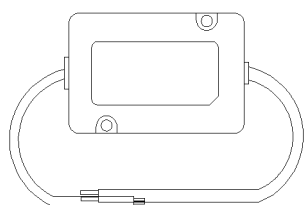
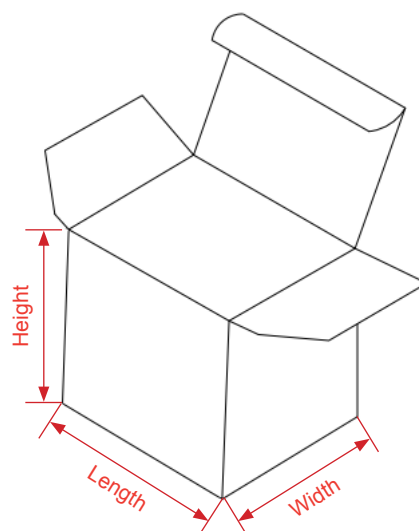
IPX-012P24P
12W AC/DC switching power supply

10. Packing Step

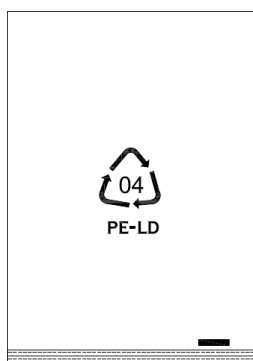


1. PE bag
Length: 170mm
Width: 100mm

2. White box:
Length: 75mm
Width: 48mm
Height: 68mm



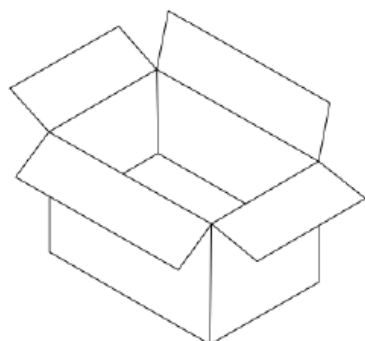
A: Product



B: PE bag



C: White box



Packing request:

Packaging: Outside box: 405L*260W*300H
Quantity: 100PCS/CTN

Remarks:

1. Firstly, put the product into PE bag according to the picture "A/B".
2. After finishing the first step, then put the product into white box according to the picture "C".
3. Then put the product into outer carton.
4. When packing finished, then seals the carton and labels the mark.
5. Through the QA inspection, the products can be shipped.