

IPX-035PxxM Series

36W constant voltage LED driver with PFC

- Constant voltage design.
- Universal AC input range.
- Fully encapsulated with IP67 level.
- Protections: short circuit, over load over voltage.
- Cooling by free air convection.
- 100% full load burn-in test.
- Suitable for LED lighting and moving sign applications.
- High reliability / Low cost.
- 2 Years warranty .



Specification

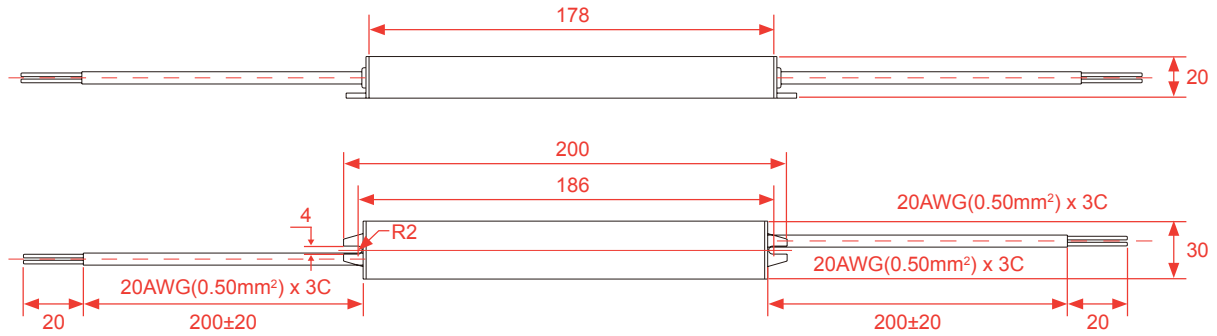
Model	IPX-035P12M	IPX-35P24M	
Output	DC Voltage	12V	24V
	Rated current	3A	1.5A
	Current range	0 ~ 3A	0 ~ 1.5A
	Rated power	36W	36W
	Ripple&noise	120mVp-p	150mVp-p
	Voltage tolerance	±5.0%	
	Line regulation	±1.0%	
	Load regulation	±2.0%	
	Setup, rise	500ms, 20ms/230VAC	500ms, 20ms/115VAC at full load
Hold time	50ms/230VAC 16ms/115VAC at full load		
Input	Voltage range	90 ~ 264VAC	127 ~ 370VDC
	AC current	1.1A/115VAC 0.7A/230VAC	
	Efficiency	84%	85%
	Frequency range	47~63Hz	
	Inrush current	Cold start 55A/230VAC (t _{width} =510μs measured at 50%I _{peak})	
	Leakage current	<0.25mA/240VAC	
Protection	Overload	110% ~ 150% rated output power Start overload protection Protection type: hiccup mode, auto-recovery after fault condition is removed	
	Over voltage	13.8 ~16.2V	27.6~32.4V
		Protection type: Shut down output voltage, re-power on to recover	
Environment	Working temperature	-30°C ~ +65°C (Please refer to "derating curve")	
	Working humidity	20%~90%RH Non-condensing	
	Storage temp, humidity	-40°C ~ +80°C; 10% ~ 95%RH	
	Temp. coefficient	±0.03%/°C (0~50°C)	
	Vibration	10 ~ 500Hz, 2G 10min/1 Cycle, Period for 60min, Each axes	
Safety&EMC	Safety standards	UL 1310, CAN/CSA C22.2 NO.223-M91, IP67 approved; design refer to TUV EN 61347	
	Withstand voltage	I/P-O/P: 1.5KVAC I/P-FG: 1KVAC O/P-FG: 0.5KVAC	
	Isolation resistance	I/P-O/P: 100M Ohms/500VDC/25°C/70%RH	
	EMC emission	Compliance to EN55015 (CISPR22) Class B, EN61547-3-2 Class B, EN61000-3-3	
	EMC immunity	Compliance to EN61000-4-2,3,4,5,6,8,11; EN55015:2013+A1:2015	
Others	MTBF	630K hrs min. MIL-HDBK-217F(25°C)	
	Dimension	200*30*20mm (L*W*H)	
	Packing	0.22kg/100pcs/22kgs/0.039m ³ /1.39CUFT	

Note:

1. All parameters NOT specially mentioned are measured at 230VAC input, rated load and 25°C of ambient temperature.
2. Ripple & noise are measured at 20MHz of bandwidth by using a 12" twisted pair-wire terminated with a 0.1uf & 47uf parallel capacitor.
3. Tolerance: includes set up tolerance, line regulation and load regulation.
4. The power supply is considered as a component that will be operated in combination with final equipment. Since EMC performance will be affected by the complete installation, the final equipment manufacturers must re-qualify EMC Directive on the complete installation again.
5. Suitable for indoor use or outdoor use without direct sunlight exposure. Please avoid immerse in the water over 30 minute.
6. Derating may be needed under low input voltage. Please check the static characteristics form more details.
7. Length of set up time is measured at first cold start. Turning ON/OFF the power supply may lead to increase of the set up time.

Mechanical specification

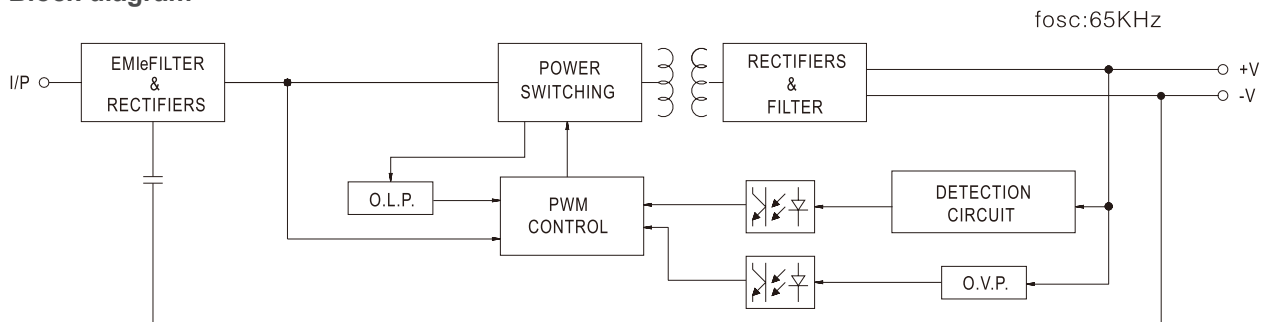
Unit mm



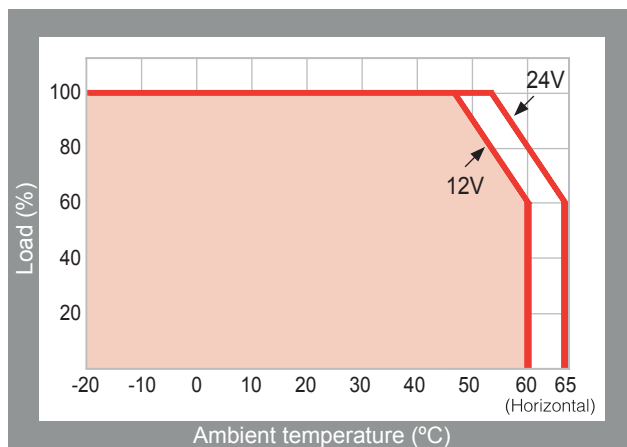
Lead-out wire assignment

Input (Black three-core)		Output (Black two-core)	
Brown	AC/L	Brown	DC OUTPUT +V
Blue	AC/N	Blue	DC OUTPUT -V
Yellow-green	FG \perp	Shell connect with earth	

Block diagram



Derating curve



Static characteristics

