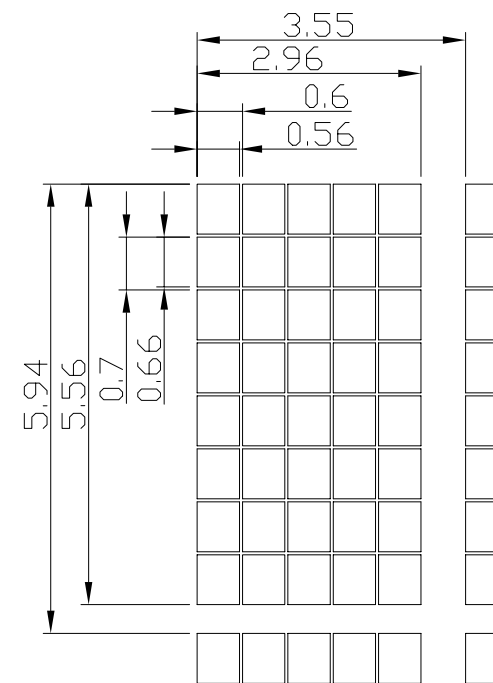
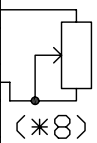


No.	Pin Name
1	VSS
2	VDD
3	V0
4	RS
5	R/W
6	E
7	DB0
8	DB1
9	DB2
10	DB3
11	DB4
12	DB5
13	DB6
14	DB7
15	BLA
16	BLK



Pixel Details  
Scale=10/1



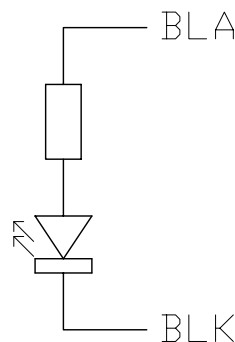
**UKAI BILBAO**  
Ribera Elorrieta 7C  
48015 Bilbao  
Teléfono: 94 474 5252  
Fax: 94 475 9710  
e-mail: ukai@ukai.com

**UKAI BARCELONA**  
Avda. Vallcarca 74-76  
08023 Barcelona  
Teléfono: 93 284 0898  
Fax: 93 210 6765  
e-mail: ukaibcn@ukai.com

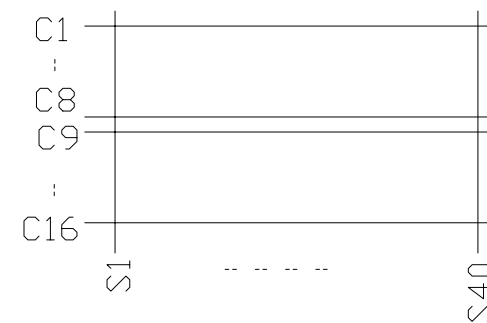
**UKAI MADRID**  
Avda Andalucía 2, 2ª planta local 211  
28702 San Sebastián de los Reyes  
Teléfono: 91 659 0328  
Fax: 91 659 0558  
e-mail: ukaimad@ukai.com

Note:

- \*1. LCD Display Type : STN-Gray, Positive, Transflective
- \*2. Viewing Direction : 6H
- \*3. Duty : 1/16 ,Bais : 1/5
- \*4. Operating Voltage : 5.0V
- \*5. Backlight Color : White
- \*6. Operating Temperature : -20°C ~ 70°C
- \*7. Storage Temperature : -30°C ~ 80°C
- \*8. An external VR(5k) must be connected for Contrast Control.



Backlight Circuit  
(No. of LED = 1pcs)  
Scale=free



Panel Wiring Details  
Scale=free

C				
B				
A				
Rev	Note	Date		
Dwg	Title	LMB0820CDC-1 Outline Dwg		
Dwg No.	MK-001076-1-1	Date	2005-10-10	
Scale	3/1	Tol.	±0.5	Unit mm
Approved		Checked		Drawn Li Shuai

**TOPWAY**