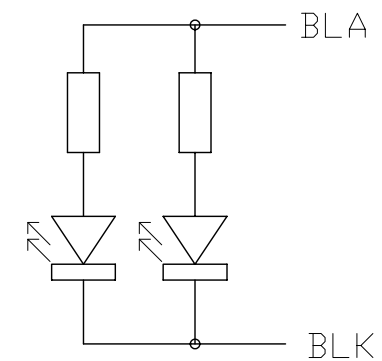
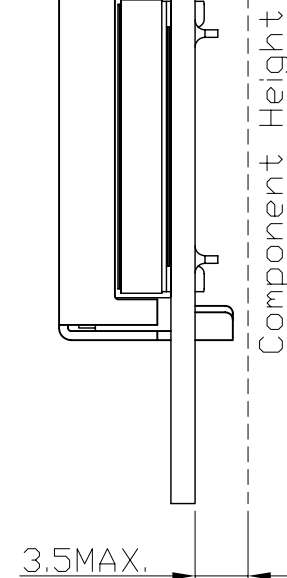
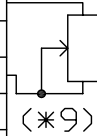
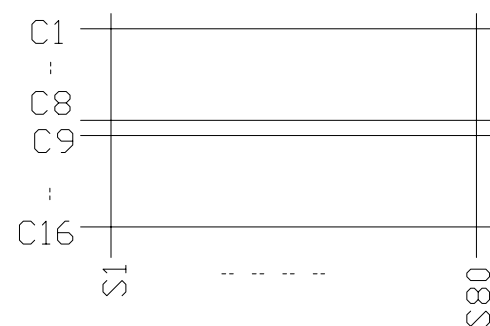


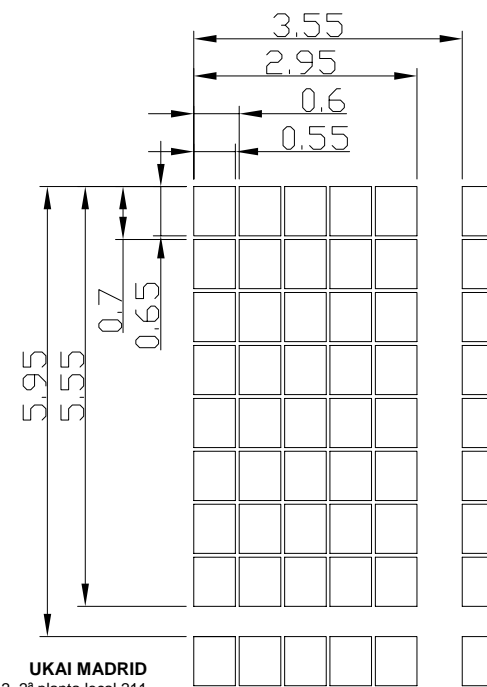
Terminal	
No.	Pin Name
1	VSS
2	VDD
3	V0
4	RS
5	R/W
6	E
7	DB0
8	DB1
9	DB2
10	DB3
11	DB4
12	DB5
13	DB6
14	DB7
15	BLA
16	BLK



Backlight Circuit
(No. of LEDs = 2pcs)
Scale=free



Panel Wiring Details
Scale=free



Pixels Details
Scale=10/1

Note:

- *1. LCD Display Type : STN-Gray, Positive, Transmissive
- *2. Viewing Direction : 6H
- *3. LCD Driving Duty : 1/16duty
- *4. Operating Voltage : 5.0V
- *5. Backlight Color : White
- *6. Backlight Supply : 40mA(5.0 TYP.)
- *7. Operating Temperature : -20°~70°
- *8. Storage Temperature : -30°~80°
- *9. An external VR(5K) must be connected for Contrast Control



UKAI BILBAO
Ribera Elorrieta 7C
48015 Bilbao
Teléfono: 94 474 5252
Fax: 94 475 9710
e-mail: ukai@ukai.com

UKAI BARCELONA
C/Orient 78-84 1º 7ª (Ed. Inbisa)
08011 St. Cugat del Vallés
Teléfono: 93 284 0898
Fax: 93 210 6765
e-mail: ukai@ukai.com

UKAI MADRID
Avda Andalucía 2, 2ª planta local 211
28702 San Sebastián de los Reyes
Teléfono: 91 659 0328
Fax: 91 659 0558
e-mail: ukaimad@ukai.com

C		
B		
A		
Rev	Note	Date
Dwg	Title	
LMB162HDW Outline Dwg		
Dwg No.	MK-002686-1-1	Date
		2008-12-05
Scale	Tol.	Unit
2/1	±0.5	mm
Paper Size	A3	
Approved	Checked	Drawn
		Zhou Huifang

