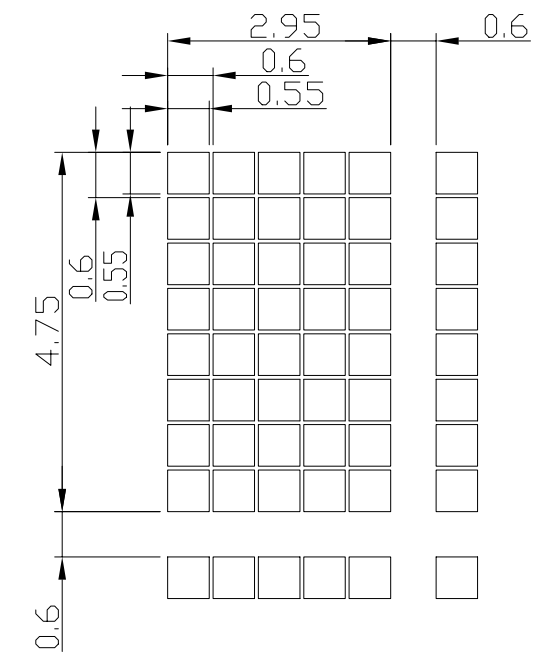


Terminal	
No.	Pin Name
1	VSS
2	VDD
3	V0
4	RS
5	R/W
6	E
7	DB0
8	DB1
9	DB2
10	DB3
11	DB4
12	DB5
13	DB6
14	DB7
15	BLA
16	BLK

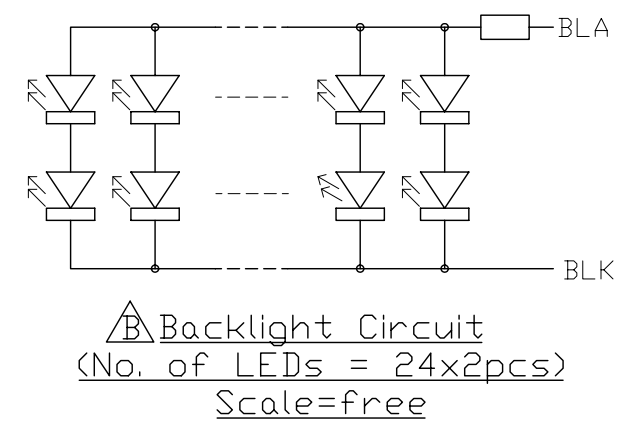


UKAI BILBAO
 Ribera Elorrieta 7C
 48015 Bilbao
 Teléfono: 94 474 5252
 Fax: 94 475 9710
 e-mail: ukai@ukai.com

UKAI BARCELONA
 Avda. Hospital Militar 74-76
 08023 Barcelona
 Teléfono: 93 284 0898
 Fax: 93 210 6765
 e-mail: ukaibcn@ukai.com

UKAI MADRID
 Avda Andalucía 2, 2ª planta local 211
 28700 San Sebastián de los Reyes
 Teléfono: 91 659 0328
 Fax: 91 659 0558
 e-mail: ukaimad@ukai.com

- Note:
- *1. LCD Display Type : STN-Gray, Positive, Transflective
 - *2. Viewing Direction : 6H
 - *3. Duty : 1/16 ,Bais : 1/5 $\triangle B$
 - *4. Operating Voltage : 5.0V $\triangle B$
 - *5. Backlight Color : YG
 - *6. Operating Temperature : -20°C ~ 70°C
 - *7. Storage Temperature : -30°C ~ 80°C
 - *8. An external VR(5k) must be connected for Contrast Control. $\triangle B$
 - *9. Environmental Safe Standard : RoHS $\triangle B$



C		
B	-Revise Backlight Circuit -Add Note	Li Shuai 2006-03-11
A	-Revise Dwg Title -Revise Dimension	Li Shuai 2004-11-11
Rev	Note	Date
Dwg Title	LMB204BDC Outline Dwg $\triangle B$	
Dwg No.	MK-000477b-1-1	Date 2004-06-07
Scale	2/1	Tol. ± 0.5
Unit	mm	Paper Size A3
Approved	Checked	Drawn Li Shuai

TOPWAY