

LUXOR-55P series

550W switching power supply



Features

- 180-264VAC AC input.
- Small volume, low weight, high efficiency.
- Protections: short circuit / over load / over voltage / over temperature.
- Built-in cooling DC fan.
- LED indicator for power on.
- 100% full load burn-in test.
- 2 years warranty.

Specification



Model		LUXOR-55P12	LUXOR-55P24	LUXOR-55P48
Output	DC Voltage	12V	24V	48V
	Voltage tolerance	±1%	±1%	±1%
	Rated current	45.8A	22.9A	11.45A
	Current range	0 ~ 45.8A	0 ~ 22.9A	0 ~ 11.45A
	Rated power	550W	550W	550W
	Ripple&noise	150mVp-p	180mVp-p	200mVp-p
	DC voltage ADJ. range	-9%~ ±10%	±10%	±10%
	Setup, rise, hold up time	200ms, 30ms, 36ms/230VAC		
Input	Voltage range	180 ~ 264VAC 47 ~ 63Hz, 255 ~ 373VDC		
	AC current	12A/115V 6A/230VAC		
	Efficiency	82%	84%	86%
	Inrush current	Cold start 25A/115V 50A/230VAC		
	Leakage current	<3.5mA/240VAC		
Protection	Overload	Rated output power 105% ~ 135% Start overload protection		
		Protection type: cutoff outut, recovery after restart power		
	Over voltage	15~16V	30~31V	54~55V
		Protection type: cutoff outut, recovery after restart power		
Over temperature	Rectifier temperature ≥85°C±5%, start over temperature protection			
	Protection mode: cutoff output, auto-recovery after temperature become normal			
Environment	Working temp, humidity	-10°C ~ +60°C; 20% ~ 90% RH (Please refer to "derating curve")		
	Storage temp, humidity	-20°C ~ +85°C; 10% ~ 95% RH Non-condensing		
	Withstand vibration	10 ~ 500Hz, 2G 10 min/1 Cycle, Period for 60min, Each axes		
Safety	Withstand voltage	I/P-O/P: 1.5KVAC I/P-FG: 1.5KVAC O/P-FG: 0.5KVAC		
	Isolation resistance	I/P-O/P: I/P-FG, O/P-FG: 100M Ohms/500VDC		
Fit standard	Safety standard	EN61347-1; EN61347-2-13		
	EMC standard	EN55015; EN61000-3-2; EN 651000-3-3		
Others	Weight	1.5kg		
	Dimension	238*124*65mm (L*W*H)		
	Packing	1.5kg/12pcs/19kg		

Note:

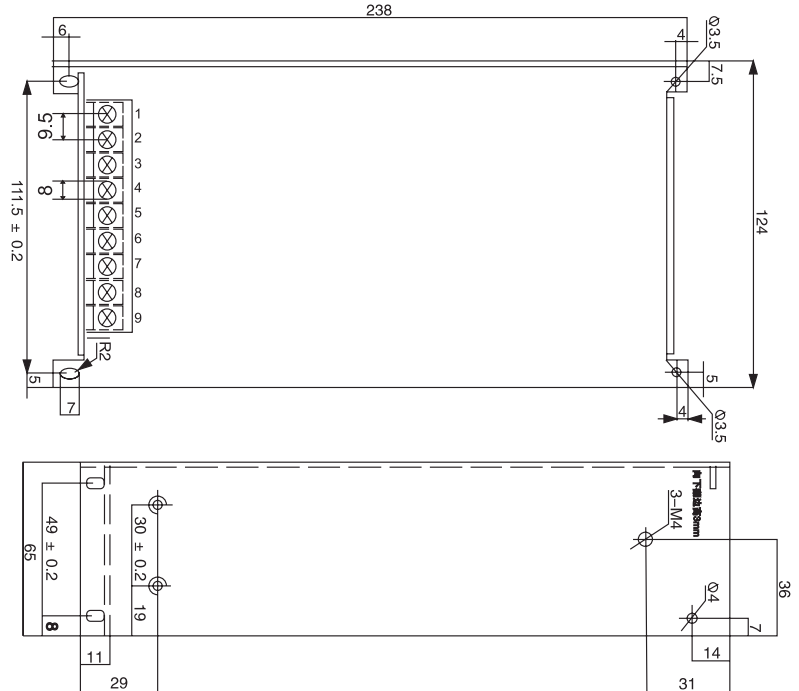
1. All parameters NOT specially mentioned are measured at 230VAC input, rated load and 25°C of ambient temperature.
2. Ripple & noise are measured at 20MHz of bandwidth by using a 12" twisted pair-wire terminated with a 0.1uf & 47uf parallel capacitor.
3. Tolerance: includes set up tolerance, line regulation and load regulation.

Mechanical specification

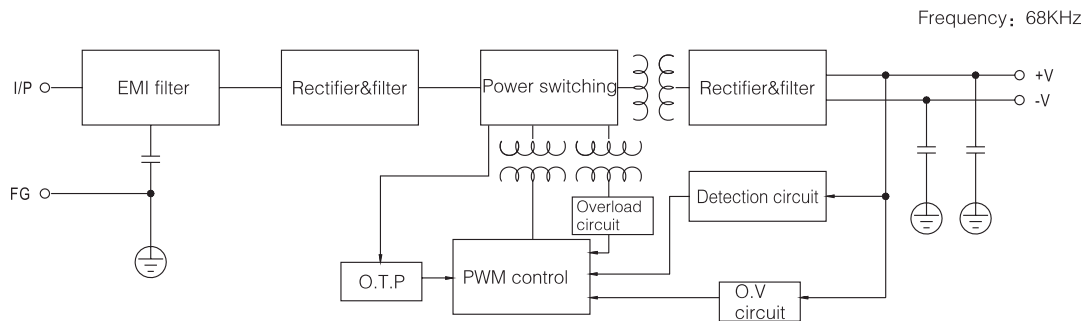
Unit mm

Terminal Pin No. Assignment

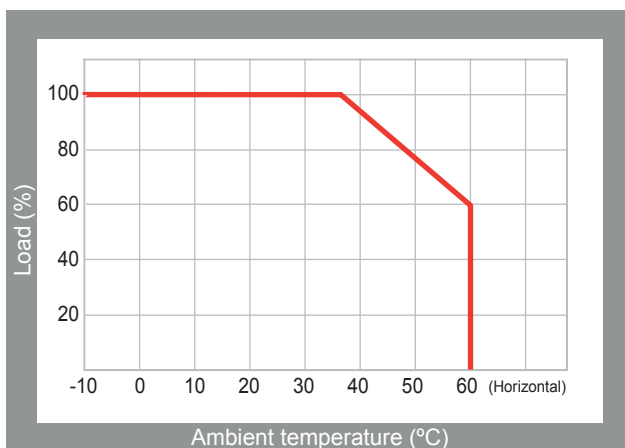
Pin No	Assignment
1	AC/L
2	AC/N
3	FG \perp
4~5	DC OUTPUT -V
7~9	DC OUTPUT +V



Block diagram



Derating curve



Static characteristics

