

fullwat[®]
professional *solutions*

CR1/3N • Primary Lithium Battery



CR1/3N • Primary Lithium Battery

1. Scope

The specification is applicable to Fullwat Primary Lithium Battery CR1/3N.

2. Chemical System

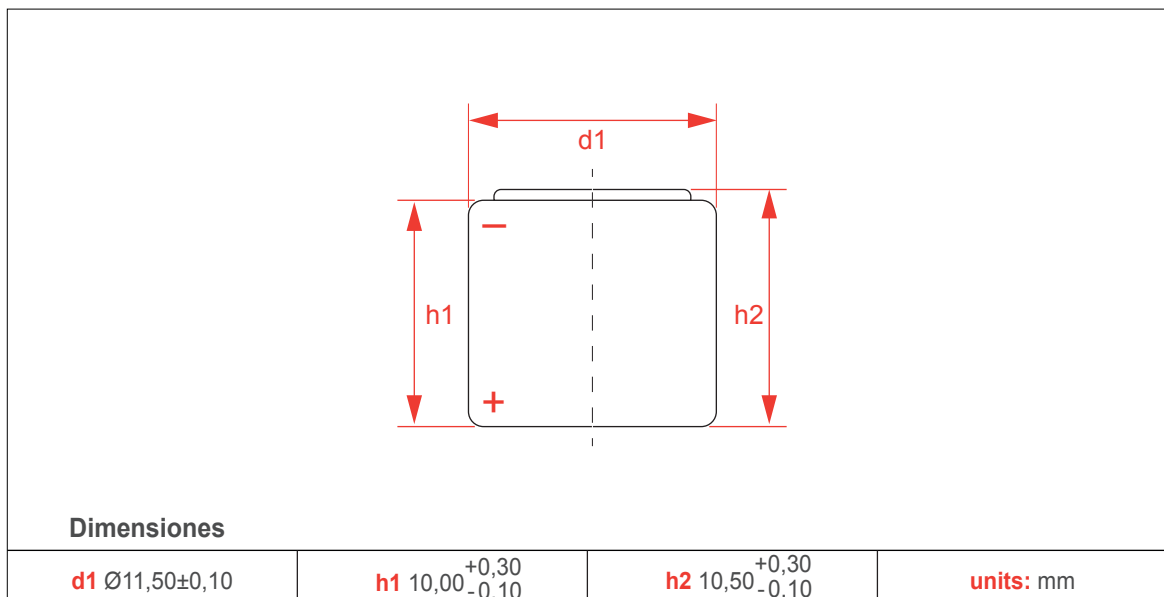
Primary Lithium-Manganese Dioxide Li-MnO_2

3. Electrical characteristics

Nominal capacity	170mA
(At 0.5mA +20°C, 2.0V cut off. The capacity restored varies according to current, temperature, cut off)	
Nominal voltage	3.0V
Max. continuous current (at +20°C)	60mA
Typical Max. continuous current (at +20°C)	80mA
Pulse capability: Typically up to 80mA (80mA/0.1 second pulses drained every 2min at 20°C from cells with 10µA base current, yielding voltage readings above 2.0V. The readings may vary according to pulse characteristics, temperature and cell's previous history. Consult ACT if necessary)	
Storage (recommended)	+30°C Max
Operating temperature range	-40°C~+60°C
(High and low temperature will lower the capacity and load voltage.)	

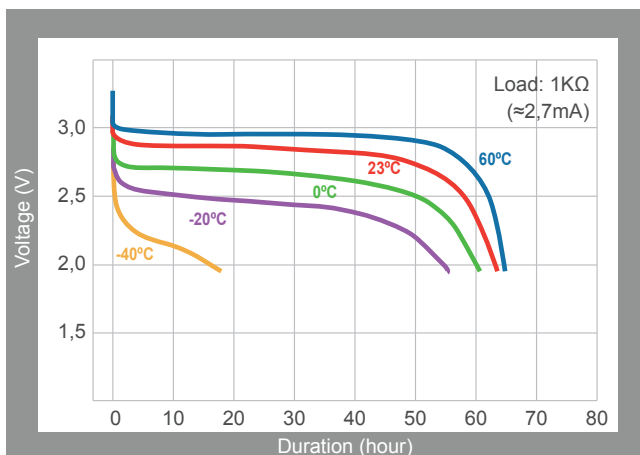
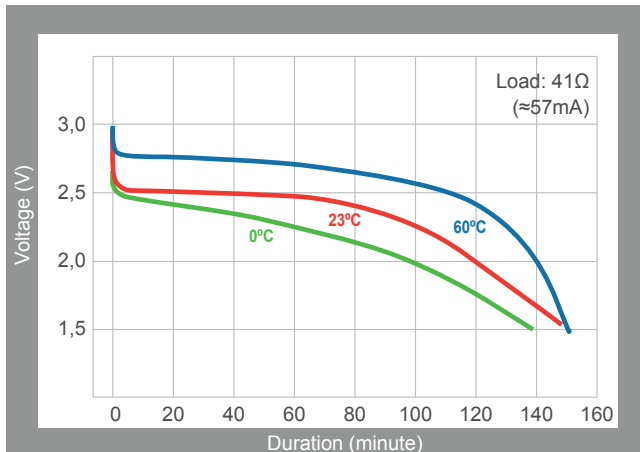
4. Physical characteristics

Typical Weight: 3g

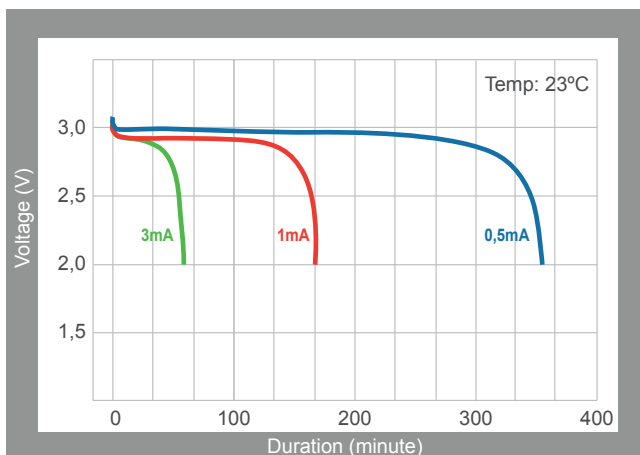


CR1/3N • Primary Lithium Battery

5. Discharge curve at various temperatures



6. Discharge curve at various currents



Key features

- High and stable load voltage.
- Superior drain capacity.
- Low self-discharge rate (less than 1% after 1 year of storage at 20°C).

Storage

- Cells should be stored in a clean&dry (less than 70% RH) area.
- Temperature should not exceed +30°C.

Warning

- Do not use if cell casing is mangled.
- Do not use different model of cell in series.
- Soldering the tag should be finished in few seconds.
- Do not try to recharge.

7. Warranty

The warranty is specified in our warranties section of Terms of Sales. If the product is to be stored for more than three months it is necessary to perform the appropriate maintenance to ensure the good condition of the batteries. Consult our annex to the Terms of Sales on the recommended maintenance.