



Input: 100-240VAC 50/60Hz
Output Voltage: 5V-48V DC
Rated Power: 30W max

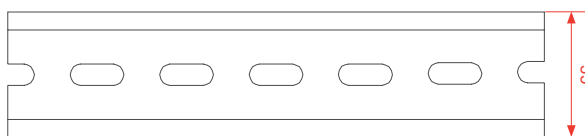
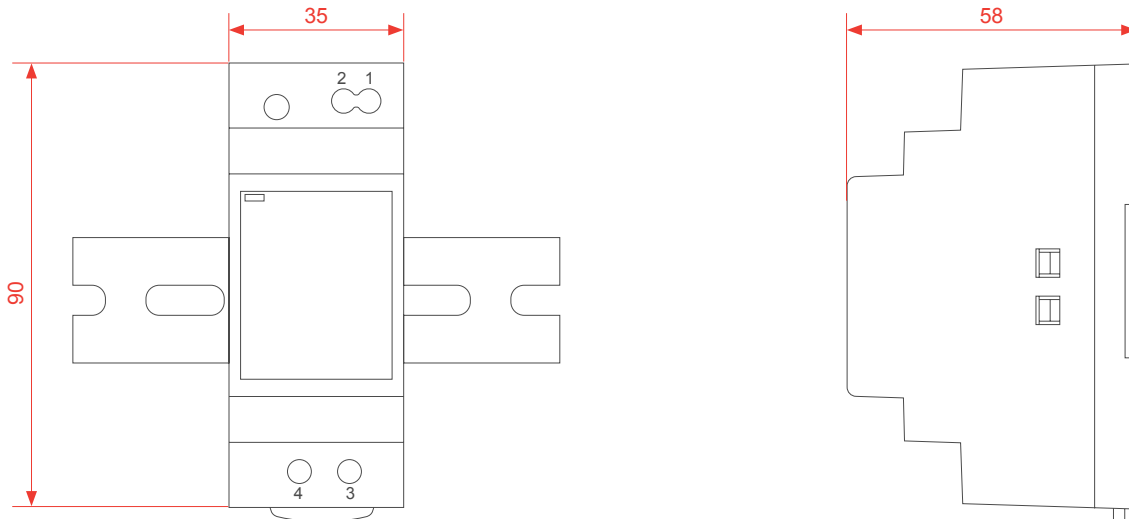
Features

- High efficiency.
- 100% Full Load Burn-In.
- Low Ripple & Noise.
- Adjustable DC Voltage Output.
- Protections: Overload / Over Voltage / Short Circuit.
- Three-year Warranty.
- Isolation Class II.

Applications

- Access Control.
- Home Control System.
- Building Automation.
- Communication Equipment.
- Industrial Control System.

Dimensions and installation



Admissible DIN-RAIL: TS35/7.5 OR TS35/15

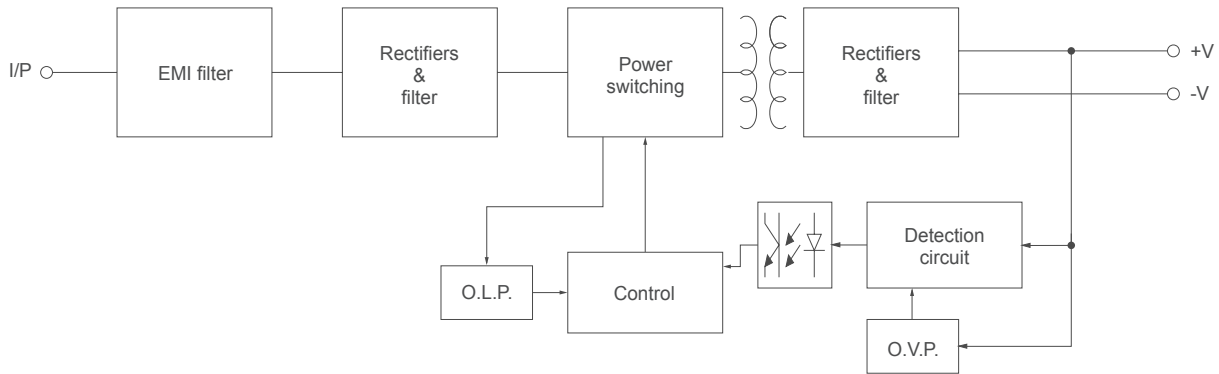
Terminal Pin No. Assignment

Pin No.	Assignment	Pin No.	Assignment
1	+V	3	AC/N
2	-V	4	AC/L

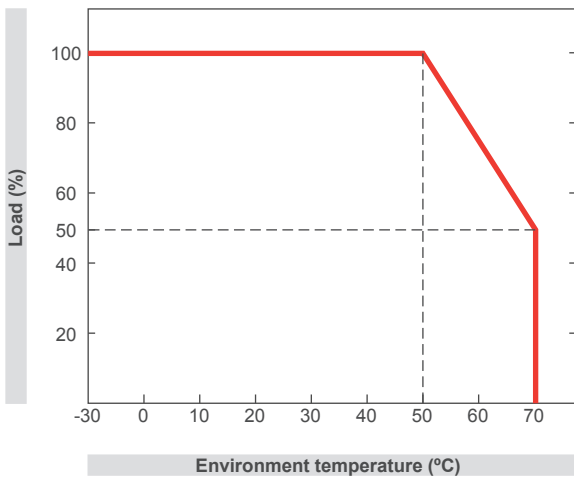
Specification

Model		FDIN2-05V2	FDIN2-12V2	FDIN2-15V2	FDIN2-24V2	FDIN2-48V2
Input	Input voltage	100-240VAC				
	Input frequency	47~63Hz				
	Inrush current	25A/115VAC 45A/230VAC				
	AC Current	0.88A/115VAC 0.21A/230VAC				
	Leakage current	<0.25mA/240VAC				
	Efficiency (Typ.)	82%	88%	89%	89%	90%
Output	DC Voltage	5V	12V	15V	24V	48V
	Rated current	3A	2A	2A	1.25A	0.625A
	Rated power	15W	24W	30W	30W	30W
	Voltage tolerance	±5%	±5%	±5%	±5%	±5%
	Ripple & Noise	80mVp-p	120mVp-p	120mVp-p	150mVp-p	240mVp-p
	Line regulation	±1%	±1%	±1%	±1%	±1%
	Load regulation	±1%	±1%	±1%	±1%	±1%
	Setup, Rise, Hold Up time (Typ.)	500mS/ 50mS/ 12mS (115V/60HZ MAX ROAD) 500mS/ 50mS/ 30mS (230V/50HZ MAX ROAD)				
Environmental	Operating temperature	-20°C to 50°C, Full load, Normal operation				
	Storage temperature	-40°C to 80°C				
	Storage humidity	10 ~ 95% RH				
	Working humidity	20% ~ 90% RH Non-Condensing				
Protection	Over load	>130%-200% Rated Output Power				
		Protection type: Hiccup mode- recovers automatically after fault condition is removed				
	Over voltage	110~145%				
		Protection Type: Clamp by Zener diode				
	Short circuit	Protection to zero voltage				
Over current	110%-180%					
Safety&EMC	Safety regulations	UL62368-1, IEC62368-1, EN62368-1				
	Withstand voltage	I/P-O/P: 3KVAC				
	Isolation resistance	I/P-O/P: 100M Ohms / 500VDC / 25 / 70% RH				
	EMC emission	EN55032(CISPR32), CNS13438 Class B, EN61000-3-2 Class A, EN61000-3-3, EN61000-4-2,3,4,5,6,8,11, EN55024, EN55035, EN61000-6-2, EN61204-3				
Others	MTBF	200,000 Hours Minimum at Full Load at 25°C Ambient				
	Size	90*35*58mm				
	Weight	120g/pcs				
	Packaging	100PCS/CTN				

Functional diagram



Derating curve and temperature



Minus output and input voltage curves

