

fullwat[®]
professional *solutions*

FUC-007 • Ni-Cd/Ni-Mh battery charger



FUC-007 • Ni-Cd/Ni-Mh battery charger

1. Scope

The purpose of this document is to specify the functional requirements of the FUC-007 battery charger.

2. Description

Channel	4 PCS compatible channel of AA/AAA 2 ports of 9V block
Input	Direct plug-in; Euro plug
Display	LED (see LED indication for details)
Size	108mm x 68mm x 30.8 mm 108 mm x 68mm x 68.1 mm (including plug)
Weight	103g exclude packing
Operation temperature	0~+25°C
Store temperature	-25~+60°C
EMC standard	EN IEC 55014-1:2021 EN IEC 55014-2:2021 EN IEC 61000-3-2:2019+A1:2021 EN IEC 61000-3-3:2013+A1:2019+A2:2021
Safety standard	EN60335-1:2012/A14:2019 EN30335-2-29:2004/A11:2018 EN62233:2008
Approval	CE and GS

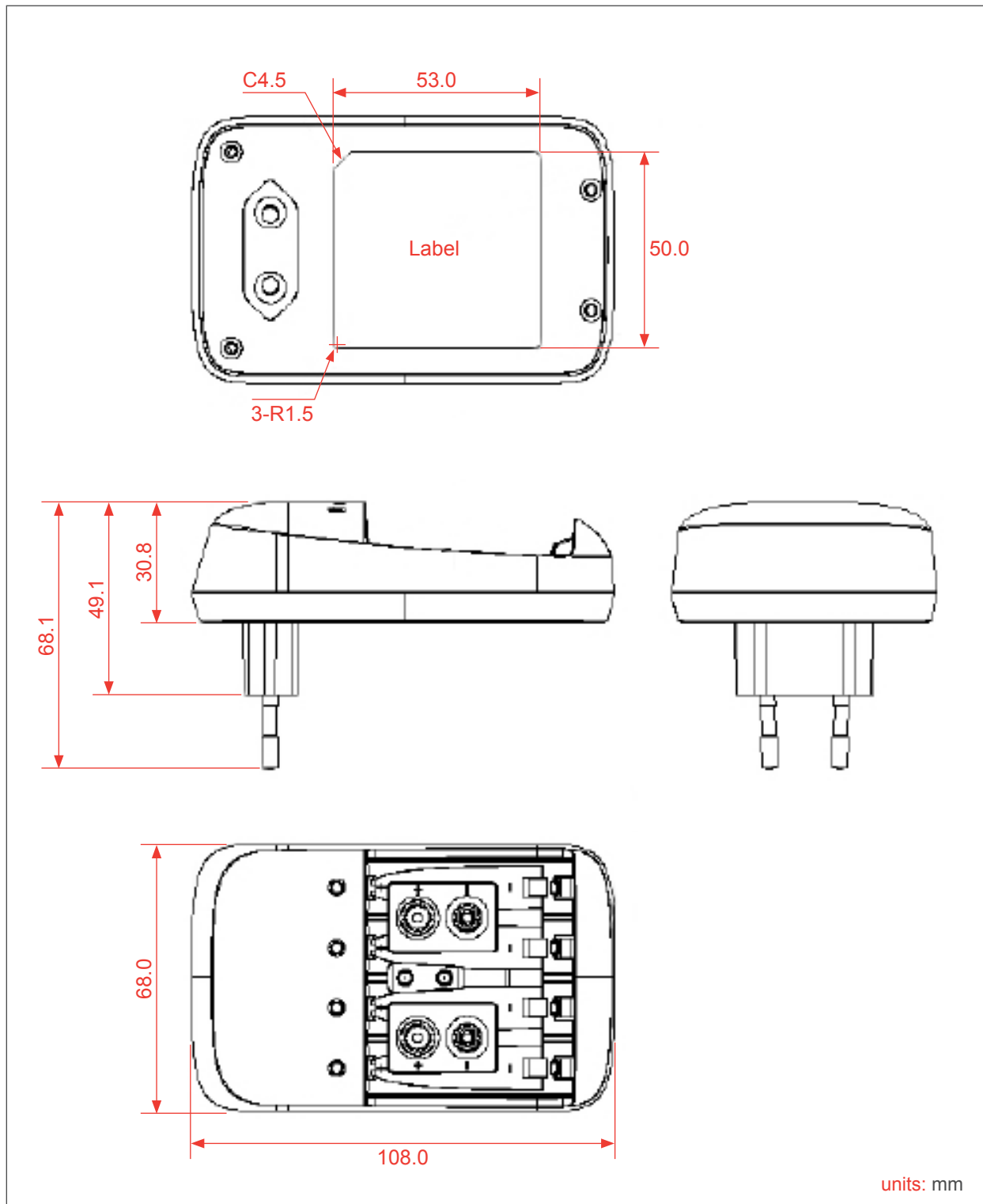
3. Rating

Input	100-240V, 50/60Hz, 160mA
Output	Channel 1-4: 1.2V, 500mA (50mA for trickle charge) for AA/AAA size Channel 5-6: 9V, 13mA for 9V block
End of charge	dV: after regular charging mode, go to trickle charge mode
Protection	Channel 1 to 4: short circuit and polarity (mechanical)

4. LED indication

Input	100-240V, 50/60Hz, 160mA
Channel	LED indication
Channel 1-4	Regular: Red ON Trickle: Green ON
Channel 5-6	Regular: Red ON Trickle: Red OFF
Detection of faulty batteries (non-rechargeable battery)	Flashing Red (For channel 1 to 4)

Outline dimension



FUC-007 • Ni-Cd/Ni-Mh battery charger

Label

