

## IPX-15PxxML Series

### 150W series single output LED driver



#### Features

- Constant voltage design, ultra thin design.
- 180-264VAC input range.
- Small volume, low weight, high efficiency.
- Protections: short circuit/over load/over voltage/over temp.
- Cooling by free air convection.
- Fully encapsulated with IP67 level.
- 100% full load burn-in test.
- 2 years warranty.

#### Specification

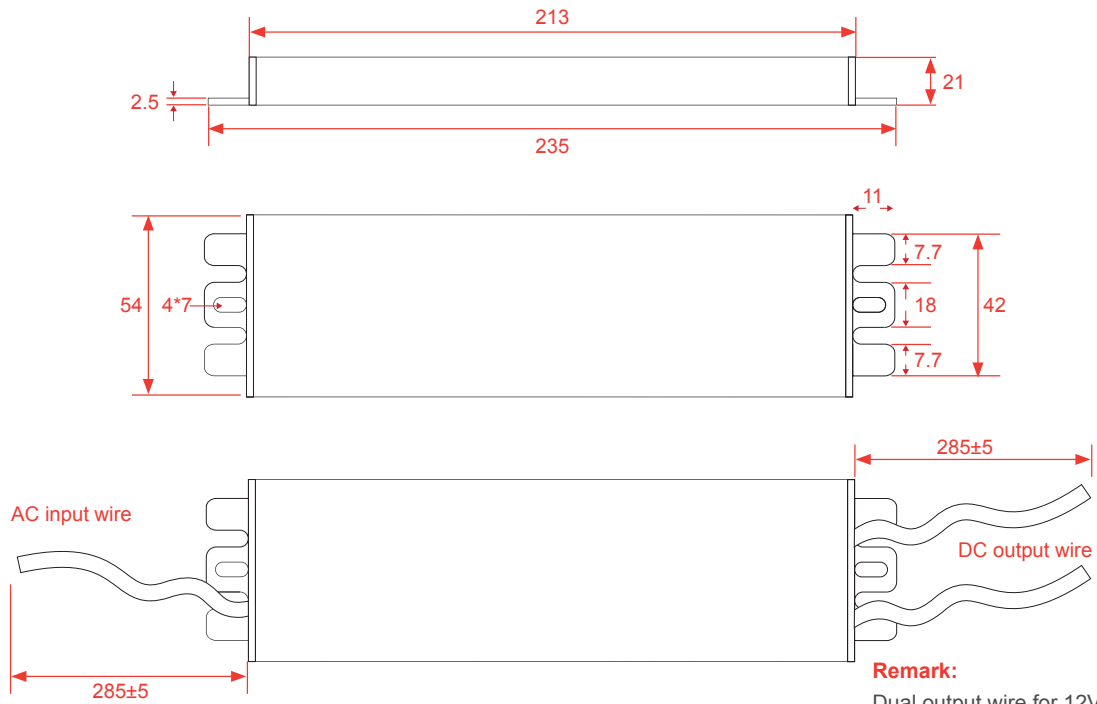
Model		IPX-15P12ML	IPX-15P24ML	IPX-15P36ML
Output	DC Voltage	12V	24V	36V
	Voltage tolerance	±3.0%	±2.0%	±2.0%
	Rated current	12.5A	6.3A	4.2A
	Current range	0 ~ 12.5A	0 ~ 6.3A	0 ~ 4.2A
	Rated power	150W	151W	151W
	Ripple&noise	120mVp-p	150mVp-p	180mVp-p
	Setup, rise, hold up time	1000ms, 30ms, 24ms/230VAC		
Input	Voltage range	180 ~ 264VAC 47~63Hz, 255 ~ 373VDC		
	AC current	1.8A/230VAC		
	Efficiency	93%	93%	93.5%
	Inrush current	Cold start 50A/230VAC		
	Leakage current	< 0.75mA/240VAC		
Protection	Overload	Rated output power 105% ~ 115% Start overload protection		
		Protection type: hiccup mode, auto-recovery after fault condition is removed		
	Over voltage	15.8 ~ 18V	30.6 ~ 33.6V	44 ~ 48.6V
		Protection type: hiccup mode, auto-recovery after fault condition is removed		
Over temperature	Case temp≥95°C, Start over temp protection			
	Protection mode: cutoff output, auto-recovery after temperature become normal			
Environment	Working temp., humidity	-30°C ~ +60°C; 20% ~ 90%RH (Please refer to "derating curve")		
	Storage temp., humidity	-40°C ~ +85°C; 10% ~ 95%RH Non-condensing		
	Withstand vibration	10 ~ 500Hz, 5G 10min./1 Cycle, Period for 60min, Each axes		
Safety	Withstand voltage	I/P-O/P: 1.5KVAC I/P-FG: 1.5KVAC O/P-FG: 0.5KVAC		
	Isolation resistance	I/P-O/P: I/P-FG, O/P-FG: 100M Ohms/500VDC		
Fit standard	Safety standard	Compliance to IEC62368-1, UL62368-1, EN62368-1, IEC61347-1, UL61347, EN61347-1		
	EMC standard	Compliance to EN55015 (CISPR22) Class A, GB9254 Class A, EN55014, EN61000-3-2,3		
Others	MTBF	380K hrs min. MIL-HDBK-217F (25°C)		
	Weight/Dimension	235*54*21 mm (L *W*H)		
	Packing	0.56kg / 36pcs / 20.8kg / 0.025m <sup>3</sup> / 0.91CUFT		

#### Note:

1. All parameters NOT specially mentioned are measured at 230VAC input, rated load and 25°C of ambient temperature.
2. Ripple & noise are measured at 20MHz of bandwidth by using a 12' twisted pair-wire terminated with a 0.1uf & 47uf parallel capacitor.
3. Tolerance: includes set up tolerance, line regulation and load regulation.

### Mechanical specification

Unit mm



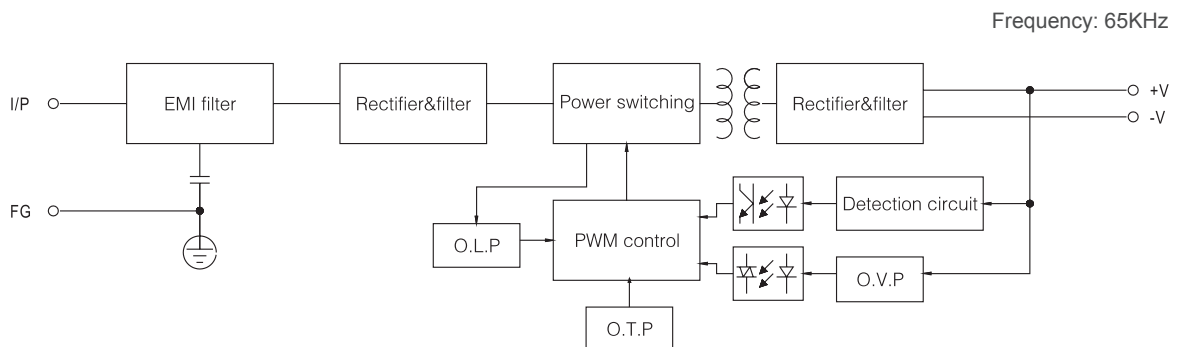
**Remark:**

Dual output wire for 12V type  
single output wire for 24V type

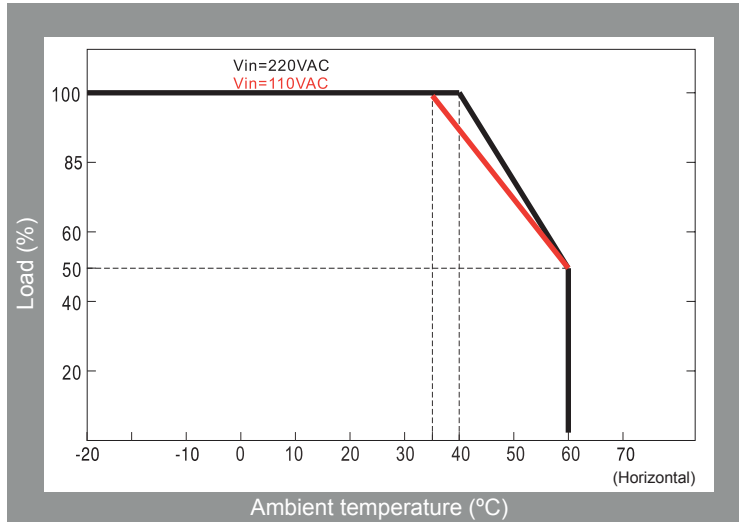
### Lead-out wire assignment

Input (Black three-core)		Output (White two-core)	
Brown	AC/L	Red	DC OUTPUT +V
Blue	AC/N	Black	DC OUTPUT -V
Yellow-green	FG $\perp$		

### Block diagram



### Derating curve



### Static characteristics

