

LENNY-DRV-WL5

Driver receiver 5 in 1 with WIFI gateway included

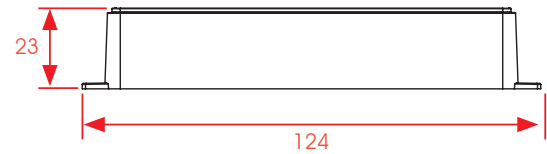
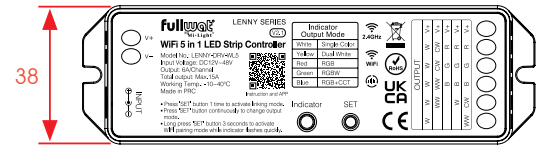
5-in-1 universal controller with WIFI gateway included that allows you to control single-colour, dynamic white, RGB, RGB+White and RGB+Dynamic White LED strips via remote control, control panel and mobile app.

Compatible with Alexa, Google Home and Google Assistant. Auto-sync and auto-transmit function.



Specifications

Universal receiver	
Model	LENNY-DRV-WL5
Input voltage	DC12V~24V (terminal block & DC Jack input)
Max. current	6A per channel
Total Max. Current	15A
Working temperature	-20~60°C
Frequency working	2.4GHz
Max. covering distance	30m



Configuration

"SET" button on the controller can be used to indicate which type of product is being controlled.

Press this button until "indicator light" LED lights up with the appropriate colour from your installation.



Indicator light:

- Single color
- CCT
- RGB
- RGB + White
- RGB + CCT

Suitable for

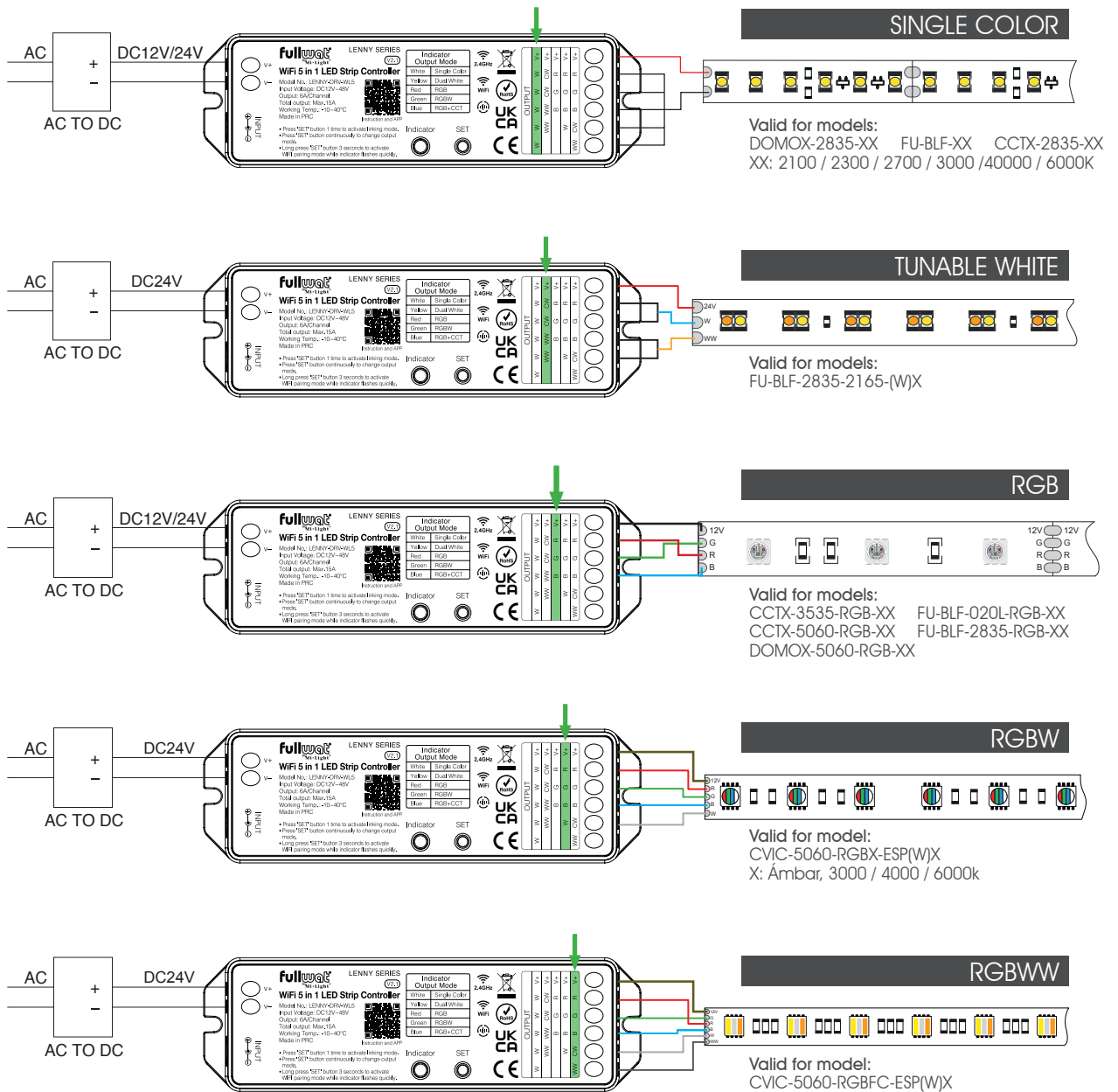
1 zone	Remote controls	LENNY-MD-085	4 zones	Remote controls	LENNY-MD-007
		LENNY-MD-086			LENNY-MD-092
		LENNY-MD-087		Touch panel	LENNY-PAN-B4
		LENNY-MD-088		Remote controls	LENNY-MD-089
Touch panels	LENNY-PAN-B0	8 zones	Touch panel	LENNY-PAN-B8	
	LENNY-PAN-K1				

* Among other models. Call our sales department.

Consult user manual corresponding to the installation in the following link: [LENNY-FULLWAT](#)

Led Strip-controller connection

Connection drawing



"Switch" button can be used to indicate which type of product is being managed. To do so, press the "Switch" or "SET" button with a short touch until color from "indicator light" is required one.

	Single color	Tunable white	RGB	RGBW	RGBWW
Indicator light	○	●	●	●	●

Led Strip-controller connection

Connection drawing

