

PDATROLY-1000

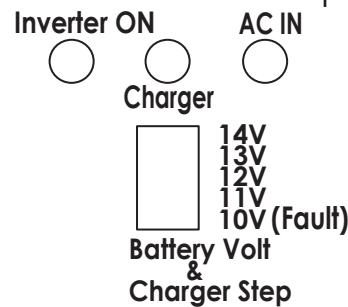
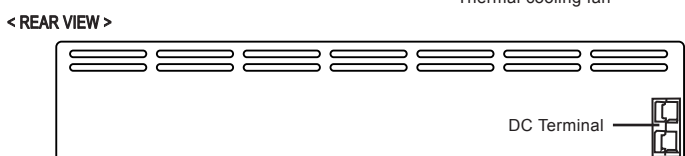
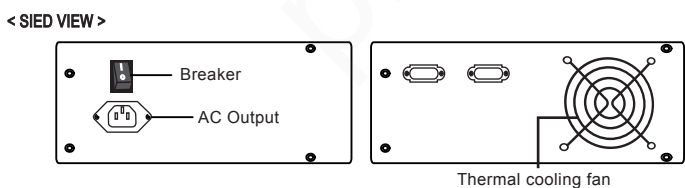
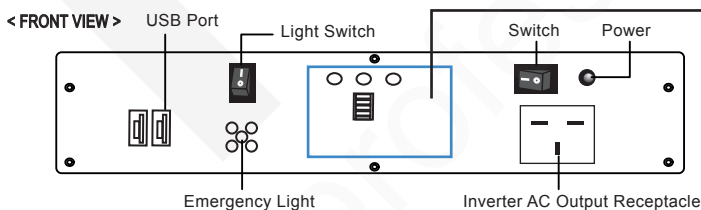
Movable Power Station



**T (trolley series)--Inverter/Charger with trolley and battery box:
1000W inverter with 10A charger + 20A solar charger controller (option) + 100A lead acid battery (Recommended/ Option).**

- (1) USB port. (5V / 2A)
- (2) Switch mode design.
- (3) Bypass function.
- (4) Max. 100Ah battery space.
- (5) Inverter re-start function.
- (6) 3-stage charger design --- bulk, absorption, float.
- (7) Wide volt range operation (90~135V, 180~265V)
- (8) Durable and corrosion resistant construction.
- (9) Transformer isolated for safety.
- (10) Compact and dexterous dimension design.
- (11) Emergency backup light (LED) function.
- (12) 20A PWM solar charger controller – option.
- (13) A Movable power system --- Modified sine wave inverter with multistage 10A battery charger.
- (14) Complete protection design --- overload, overtemp, short circuit, high/low volt ...etc.


content:



Fault (red):
No battery, low input volt,
high input volt, overtemp,
overload, short circuit.

Charger Step —
Bulk: 40% graph flash
Absorption: 60% graph flash
Float: 100% graph flash

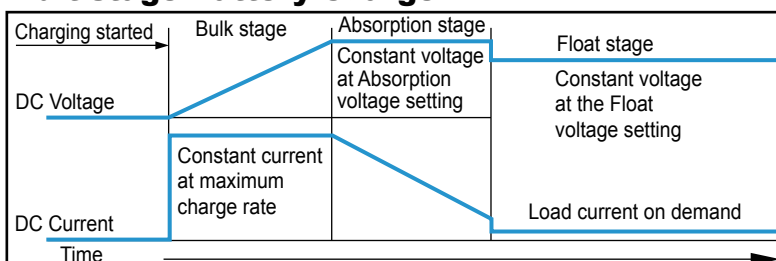
SPECIFICATION

Model No.:		PDATROLLY-1000
Inverter		
DC input volt:		12V
Volt range:		10-16VDC
Surge power:		2000W
Continuous power:		1000W
Wave form:		Modified Sine Wave 
AC voltage:		100V / 120V / 230V
Frequency:		50/60Hz±3%
AC Regulation:		±8%(100V:±10%)
No load current draw:		0.6A
Bat. low alarm:		10.5±0.5V
Bat.low shutdown:		10±0.5V
Over voltage:		16±0.5V
Bat .Polarity Reverse:		Fuse burn out
Over load:		Re-start 1 time, shutdown if failed
Bypass function:		Yes
Low AC input volt transfer to inverter mode.:		90Vac+/-5% or 180Vac+/-5%
Low AC input volt recovery to AC mode.:		95Vac+/-5% or 190Vac+/-5%
Connector	Input AC Plug:	Yes
	Output Receptacles:	Yes
Charger		
Output current:		10A
AC input volt:		120V(90-135V) / 230V(180-265V)
Charging type:		multistage
Bulk stage:		14.5±0.5V, 10A
Absorption stage:		14.5±0.5V, 10A-1A
Float stage:		13.6±0.5V, min. 0.5A
Frequency:		45-65Hz
Recommended Battery Type:		Lead acid
Recommended Battery Size:		40-160AH
PROTECTION		
Over load protection:		Yes
Over temp protection:		Yes
Inverter input reverse protection:		Fuse blow
Charger output reverse protection:		Fuse blow
Inverter output short circuit protection:		Shut-off
Over temperature:		55°C ±5°C
ENVIRONMENT		
Working temp.:		-15°C ~45°C
Storage temp.:		-25°C ~70°C
Working humidity:		20%~90% RH non-condensing
Storage humidity:		-30°C~ 70°C,10~95% RH
Temp. Coefficient:		±0.05%°C(0~55°C)
Dimension(LxWxH):		403x340x455mm
Net weight:		9.0kgs(without battery)

Optional

EXTRA FUNCTION	
Model no.	HT-T-M1000SC-12
Solar charger controller:	20A(PWM)
Net weight:	9.2kgs

multistage Battery Charger



socket type :

