



SENS-E-TD-1 Surface touch dimmer



Description	Dimension	Voltage	Load
Touch DIM	L41 x W31 x H9mm	12-24VDC	4 Amps.

Functions

- ON / OFF + dimming function
- Input current: 4A
- Input voltage: 12V-24VDC
- Load around: 48W for 12V, or 96W for 24V
- Output voltage: 12V-24VDC
- Input and output cable length: DC wire 15cm

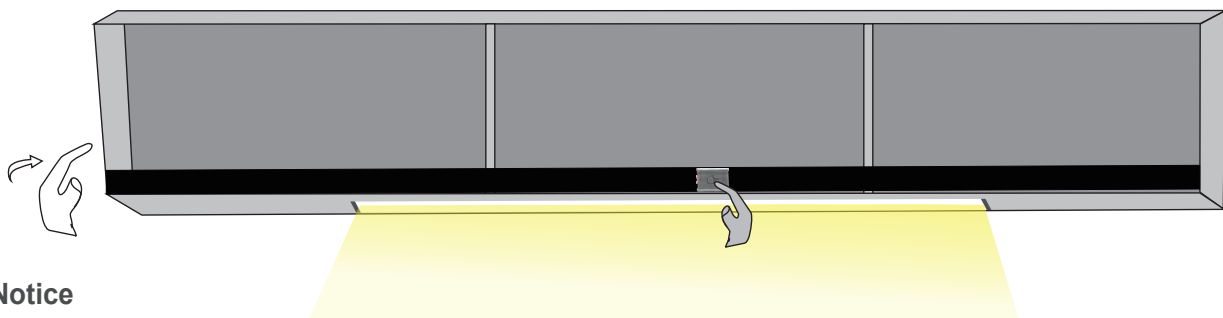
Non-memory external switch ON/OFF and dimmer

- 1.- Originally "OFF" when the power is connected.
- 2.- Quick touch (time is less than 550ms) can turn the light ON and OFF. One touch to turn ON; another touch to turn OFF. The lamp is 90% bright when it is ON.
- 3.- Hold on touching (time is above 550ms) can adjust the brightness endlessly. It will reduce the brightness endlessly to the minimum in 3 seconds holding on when the light is ON. It will increase the brightness endlessly to 100% in 3 seconds holding on when the light is OFF.
- 4.- Quick touch and Hold on touching can be chosen anytime without any collision.

Installation Instructions

Stick one side of the sensor with 3M tape to the target object (for example: near the lamp, cabinet, etc.).

Note: Please read the tag on the wire when connecting cables.



Notice

- During testing, it is forbidden to hold the sensor with one hand while touching with another hand.
- This sensor cannot be installed on conductive materials.